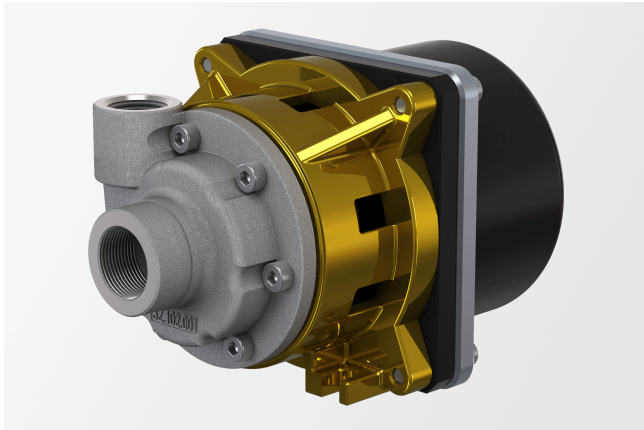


Product data sheet

Centrifugal pump

Bracket pump with magnetic coupling



Description

- » Centrifugal pump
- » Bracket pump
- » Magnetic coupling
- » Hermetically sealed
- » Compact

Markets and applications

Industrial cooling

- » Chillers/cooling machines
- » Cooling appliances
- » Welding appliances

Medical technology

- » Computer tomographs
- » C-arms (X-ray machines)

Temperature control

- » Laboratory tempering devices

Get in touch with us!

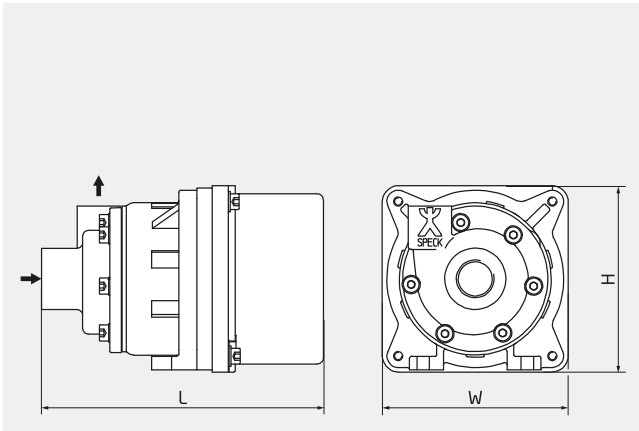
Speck Pumpen Systemtechnik GmbH
Regensburger Ring 6-8
91154 Roth
Deutschland

Make a non-binding enquiry

info@speck.de

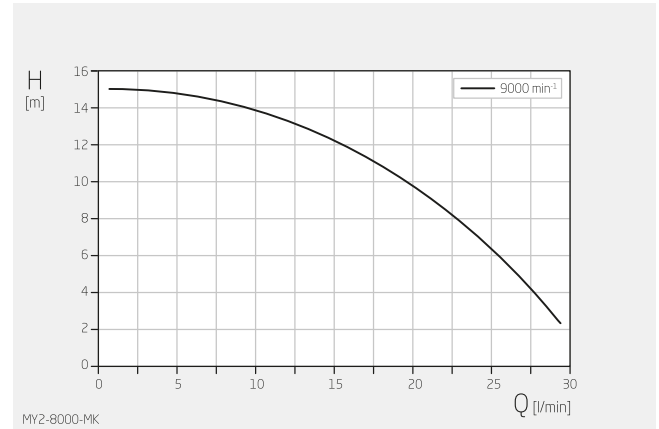
Technical data

International system of units, direct current



H	82 mm
W	82 mm
L	125 mm

Dimensions may vary depending on the design.

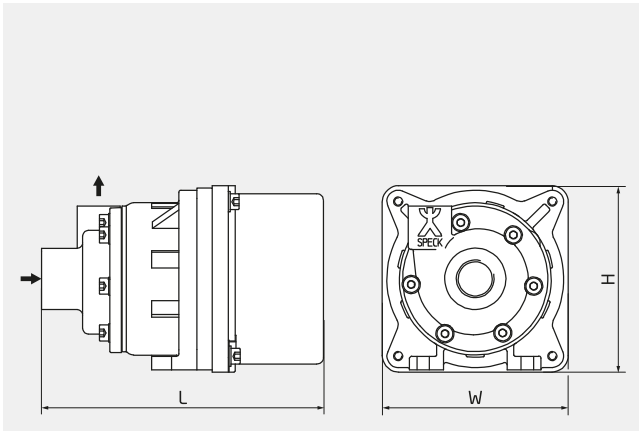


Specifications apply for water at 20°C and nominal speed.

Product type	Centrifugal pump
Shaft sealing/coupling	None/magnetic coupling
Pump design	Bracket pump
Typical media	Water max. +80 °C Water/glycol mixture max. +80 °C Oil max. +80 °C
Self-priming	No
Variable speed	No
Total head	1-15 m
Flow rate	1-29 l/min
Nominal pressure	PN 10
Motor current type	Direct current
Type of motor	DC motor BLDC
Nominal motor voltage	24 V
Nominal motor power	80 W
Nominal motor speed	9000 rpm
Suction-side connection design	Thread: G, NPT, Rc/PT
Suction-side connection size	G 3/8"
Pressure-side connection design	Thread: G, NPT, Rc/PT
Pressure-side connection size	G 1/4"
Material designs	Stainless steel
Explosion protection	None

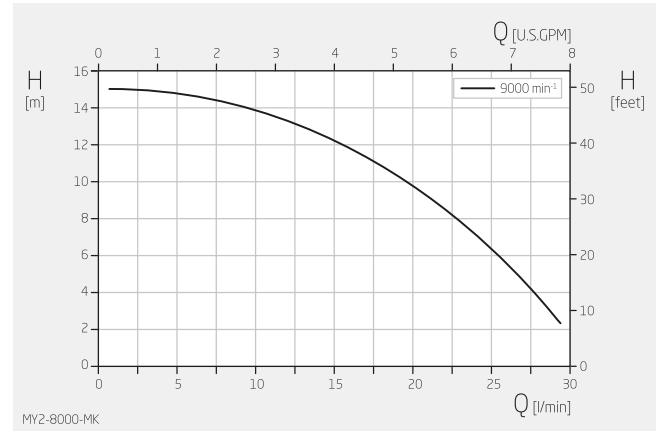
Technical data

Anglo-American system of measurement, direct current

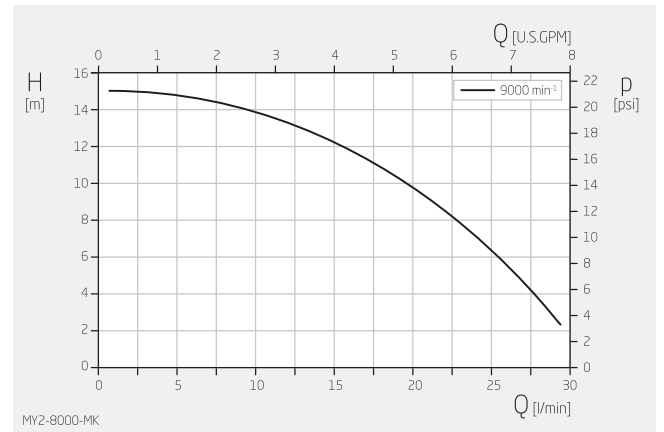


H	3,23 inch
W	3,23 inch
L	4,92 inch

Dimensions may vary depending on the design.



Specifications apply for water at 68°F and nominal speed.



Specifications apply for water at 68°F and nominal speed.

Product type	Centrifugal pump
Shaft sealing/coupling	None/magnetic coupling
Pump design	Bracket pump
Typical media	Water max. +176 °F Water/glycol mixture max. +176 °F Oil max. +176 °F
Self-priming	No
Variable speed	No
Total head	3-49 ft
Flow rate	0.3-7.7 USGPM
Nominal pressure	PN 10
Motor current type	Direct current
Type of motor	DC motor BLDC
Nominal motor voltage	24 V
Nominal motor power	0.11 HP
Nominal motor speed	9000 rpm
Suction-side connection design	Thread: G, NPT, Rc/PT
Suction-side connection size	G 3/8"
Pressure-side connection design	Thread: G, NPT, Rc/PT
Pressure-side connection size	G 1/4"
Material designs	Stainless steel
Explosion protection	None