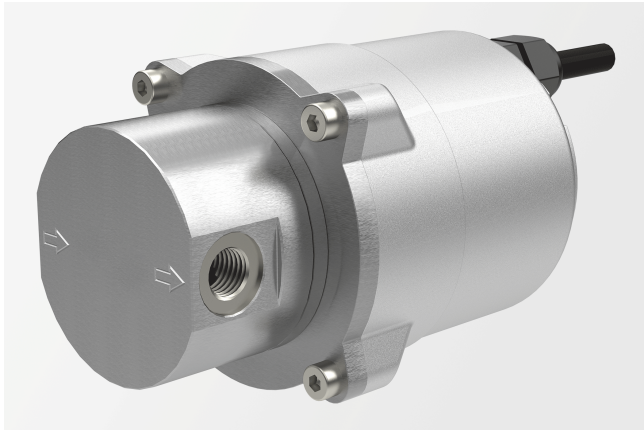


Product data sheet

Gear pump

Canned motor pump with speed control



Description

- » Gear pump
- » Canned motor pump
- » Adjustable speed
- » Compact

Markets and applications

E-mobility

- » HPC – High-power charging (quick charging stations)

Industrial cooling

- » Welding appliances
- » Plasma cutters
- » Industrial lasers

Medical technology

- » Lab autoclaves

Road and rail

- » Fuel pumping

Get in touch with us!

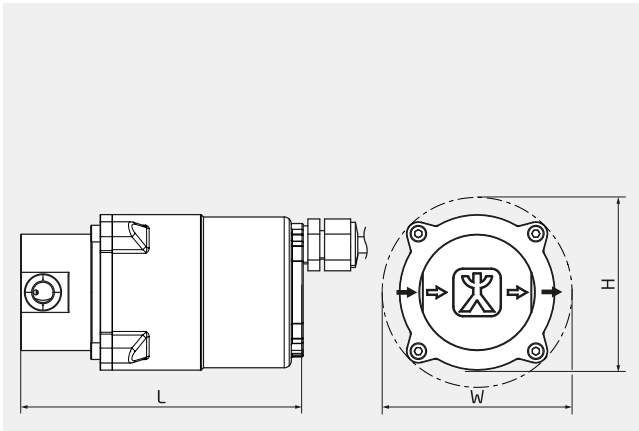
Speck Pumpen Systemtechnik GmbH
Regensburger Ring 6-8
91154 Roth
Deutschland

Make a non-binding enquiry

info@speck.de

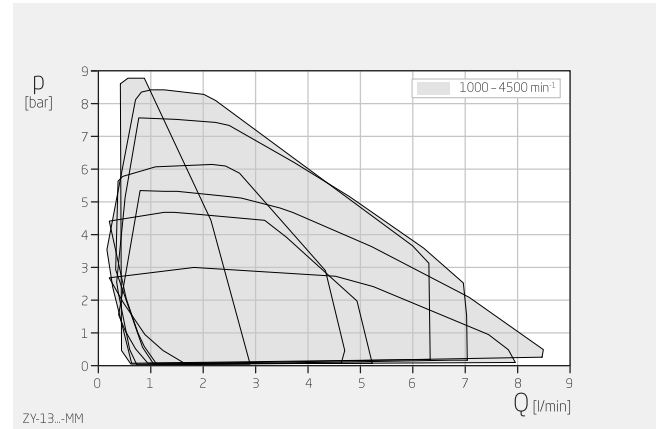
Technical data

International system of units, direct current



H	80 mm
W	80 mm
L	101-123 mm

Dimensions may vary depending on the design.

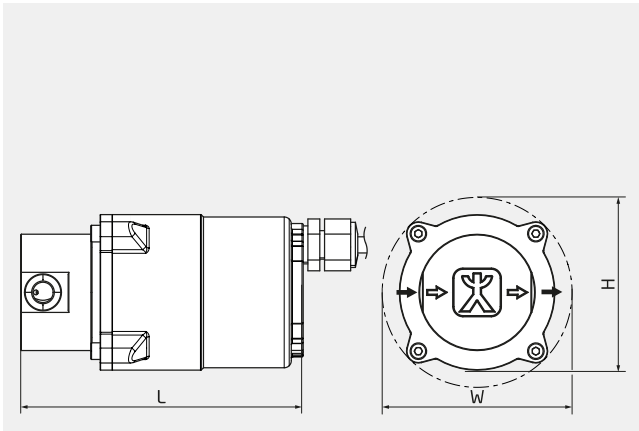


Specifications apply for water at 20°C
Within the characteristic diagrams, each operating point is possible through parametrisation of the drive.

Product type	Gear pump
Shaft sealing	None
Pump design	Canned motor pump
Typical media	Water/glycol mixture min. -35 °C, max. +60 °C Oil max. +60 °C
Self-priming	Yes
Variable speed	Yes
Outlet pressure	0.5-8.8 bar
Flow rate	1-9 l/min
Nominal pressure	PN 20
Motor current type	Direct current
Type of motor	DC motor BLDC
Nominal motor power	30 W/80 W
Nominal motor voltage	24 V
Nominal motor speed	1000 rpm - 9000 rpm
Suction-side connection design	Threaded
Suction-side connection size	G 1/8"
Pressure-side connection design	Threaded
Pressure-side connection size	G 1/8"
Explosion protection	None

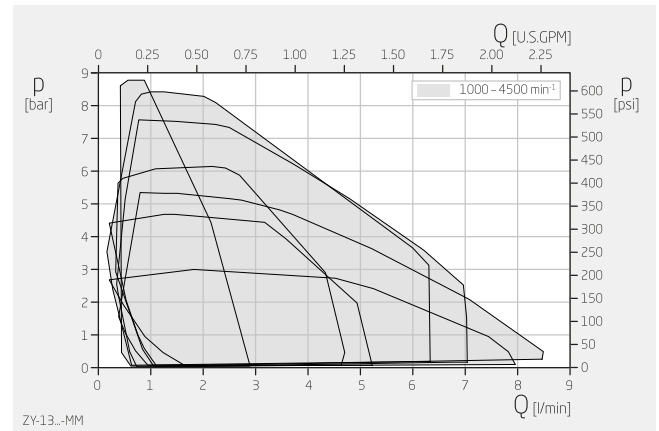
Technical data

Anglo-American system of measurement, direct current



H	3,15 inch
W	3,15 inch
L	3,98-4,84 inch

Dimensions may vary depending on the design.



Specifications apply for water at 68°F
 Within the characteristic diagrams, each operating point is possible
 through corresponding parametrisation of the drive.

Product type	Gear pump
Shaft sealing	None
Pump design	Canned motor pump
Typical media	Water/glycol mixture min. -31 °F, max. +140 °F Oil max. +140 °F
Self-priming	Yes
Variable speed	Yes
Outlet pressure	7-128 psi
Flow rate	0.3-2.2 USGPM
Nominal pressure	PN 20
Motor current type	Direct current
Type of motor	DC motor BLDC
Nominal motor power	0.04 HP/0.11 HP
Nominal motor voltage	24 V
Nominal motor speed	1000 rpm – 9000 rpm
Suction-side connection design	Threaded
Suction-side connection size	G 1/8"
Pressure-side connection design	Threaded
Pressure-side connection size	G 1/8"
Explosion protection	None