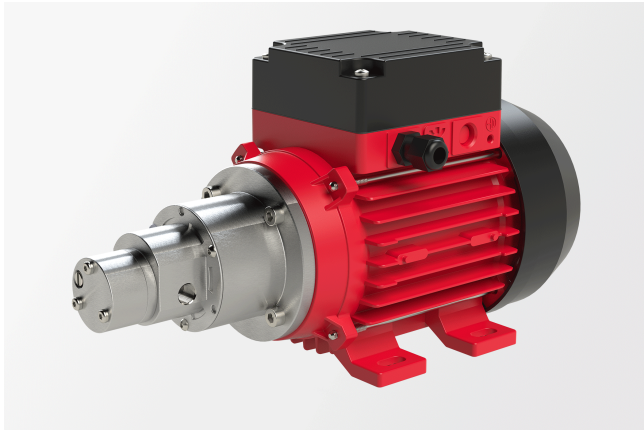


Product data sheet

Gear pump

Bracket pump with magnetic coupling



Description

- » Gear pump
- » Bracket pump
- » Magnetic coupling
- » Hermetically sealed

Markets and applications

E-mobility

- » HPC – High-power charging (quick charging stations)

Industrial cooling

- » Welding appliances
- » Plasma cutters
- » Industrial lasers

Medical technology

- » Lab autoclaves

Road and rail

- » Fuel pumping

Get in touch with us!

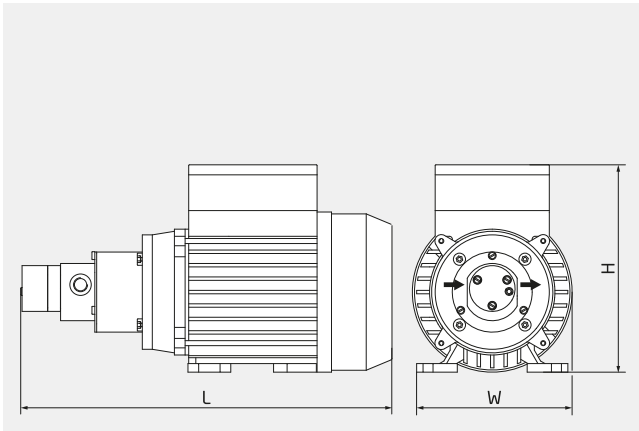
Speck Pumpen Systemtechnik GmbH
Regensburger Ring 6-8
91154 Roth
Deutschland

Make a non-binding enquiry

info@speck.de

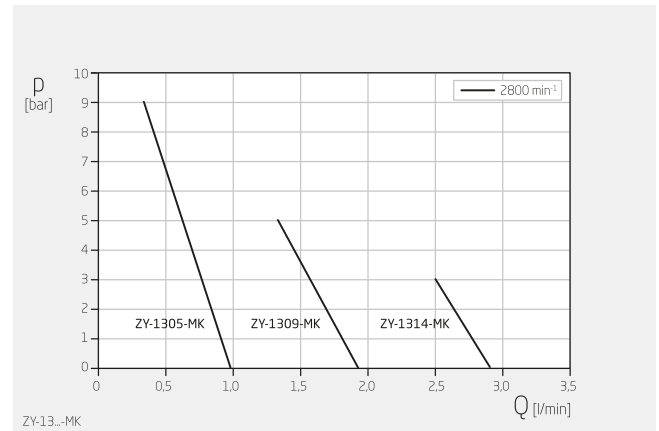
Technical data

International system of units, alternating current 50 Hz



H	145 mm
W	106 mm
L	255-264 mm

Dimensions may vary depending on the design.

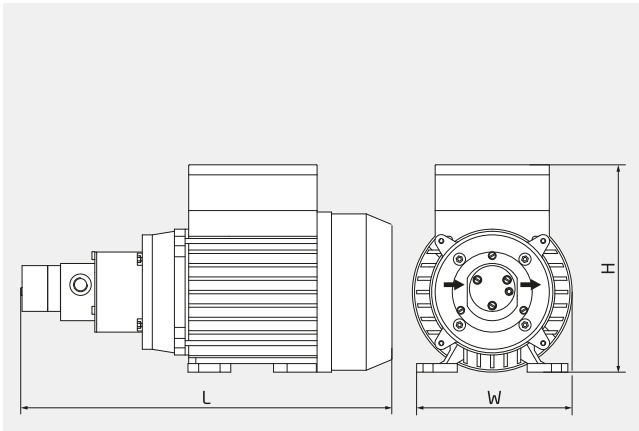


Specifications apply for water at 20°C and nominal speed.

Product type	Gear pump
Shaft sealing/coupling	None/magnetic coupling
Pump design	Bracket pump
Typical media	Water/glycol mixture min. -30 °C, max. +70 °C Oil max. +70 °C
Self-priming	Yes
Variable speed	No
Outlet pressure	0.5-9.0 bar
Flow rate	1-3 l/min
Nominal pressure	PN 16
Motor current type	1~ 3~
Type of motor	Asynchronous motor
Nominal motor power	0.12 kW
Nominal motor speed	2800 rpm
Suction-side connection design	Threaded
Suction-side connection size	G 1/8"
Pressure-side connection design	Threaded
Pressure-side connection size	G 1/8"
Explosion protection	None

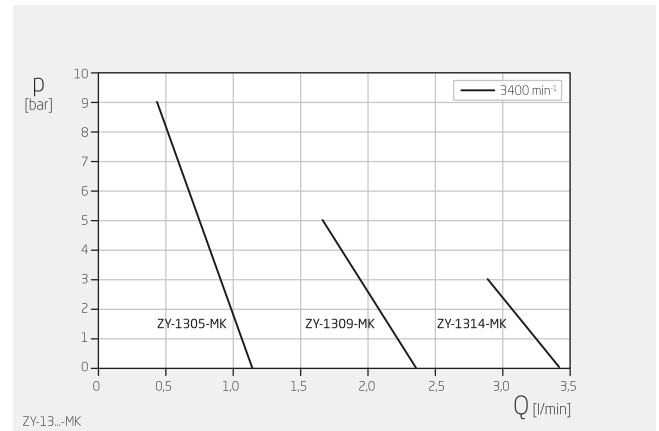
Technical data

International system of units, alternating current 60 Hz



H	145 mm
W	106 mm
L	255-264 mm

Dimensions may vary depending on the design.

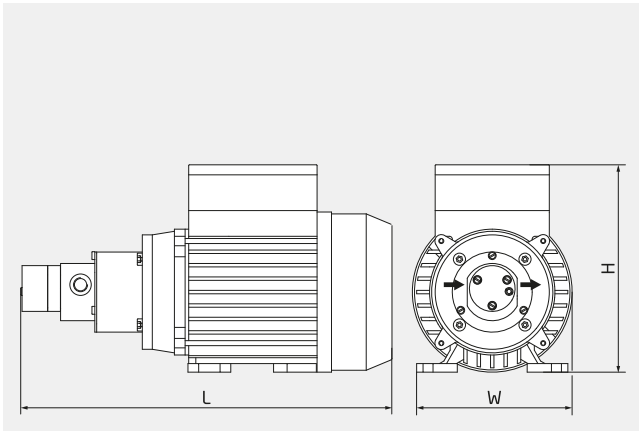


Specifications apply for water at 20°C and nominal speed.

Product type	Gear pump
Shaft sealing/coupling	None/magnetic coupling
Pump design	Bracket pump
Typical media	Water/glycol mixture min. -30 °C, max. +70 °C Oil max. +70 °C
Self-priming	Yes
Variable speed	No
Outlet pressure	0.5-9.0 bar
Flow rate	1-3 l/min
Nominal pressure	PN 16
Motor current type	1~ 3~
Type of motor	Asynchronous motor
Nominal motor power	0.12 kW
Nominal motor speed	3500 rpm
Suction-side connection design	Threaded
Suction-side connection size	G 1/8"
Pressure-side connection design	Threaded
Pressure-side connection size	G 1/8"
Explosion protection	None

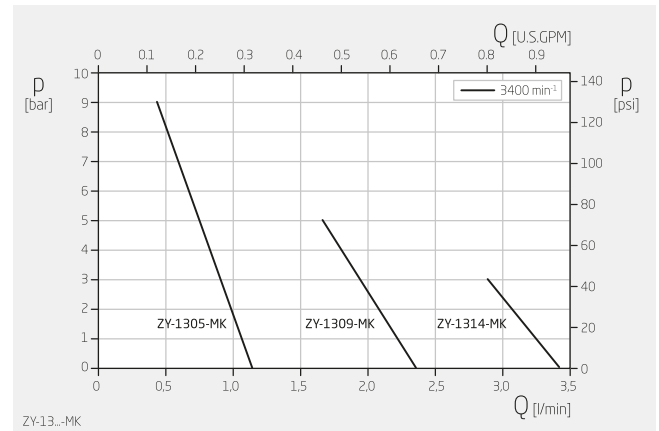
Technical data

Anglo-American system of measurement, alternating current 60 Hz



H	5,71 inch
W	4,17 inch
L	10,04-10,39 inch

Dimensions may vary depending on the design.



Specifications apply for water at 68°F and nominal speed.

Product type	Gear pump
Shaft sealing/coupling	None/magnetic coupling
Pump design	Bracket pump
Typical media	Water/glycol mixture min. -22 °F, max. +158 °F Oil max. +158 °F
Self-priming	Yes
Variable speed	No
Outlet pressure	7-131 psi
Flow rate	0.1-0.9 USGPM
Nominal pressure	PN 16
Motor current type	1~ 3~
Type of motor	Asynchronous motor
Nominal motor power	0.16 HP
Nominal motor speed	3500 rpm
Suction-side connection design	Threaded
Suction-side connection size	G 1/8"
Pressure-side connection design	Threaded
Pressure-side connection size	G 1/8"
Explosion protection	None