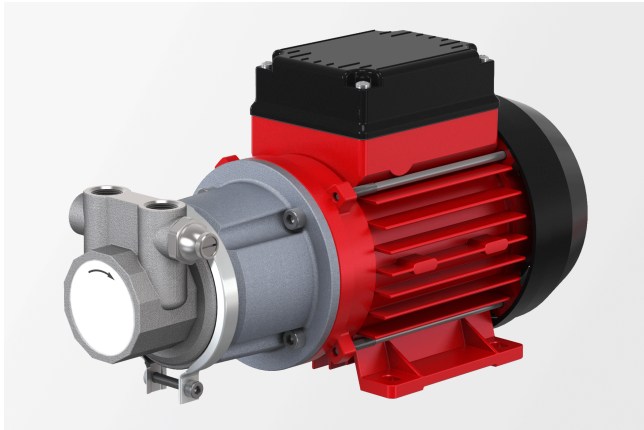


Product data sheet

Roller vane pump

Bracket pump with magnetic coupling



Description

- » Roller vane pump
- » Bracket pump
- » Magnetic coupling
- » Hermetically sealed

Markets and applications

Energy technology

- » Pumping of fuel in emergency power plants

Industrial cooling

- » Welding appliances

Food and beverage industry

- » Reverse osmosis systems

Road and rail

- » Windscreen wiper systems
- » Fuel pumping

Get in touch with us!

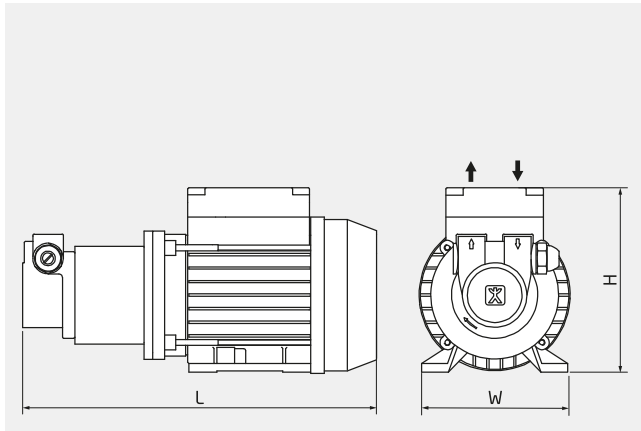
Speck Pumpen Systemtechnik GmbH
Regensburger Ring 6-8
91154 Roth
Deutschland

Make a non-binding enquiry

info@speck.de

Technical data

International system of units, alternating current 50 Hz

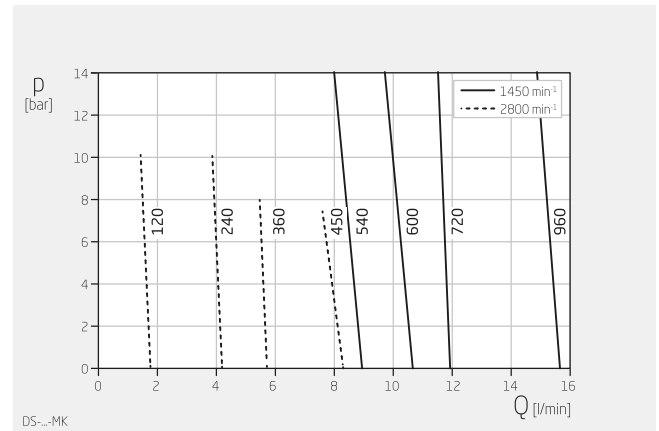


H 151-194 mm

W 120-153 mm

L 291-427 mm

Dimensions may vary depending on the design.

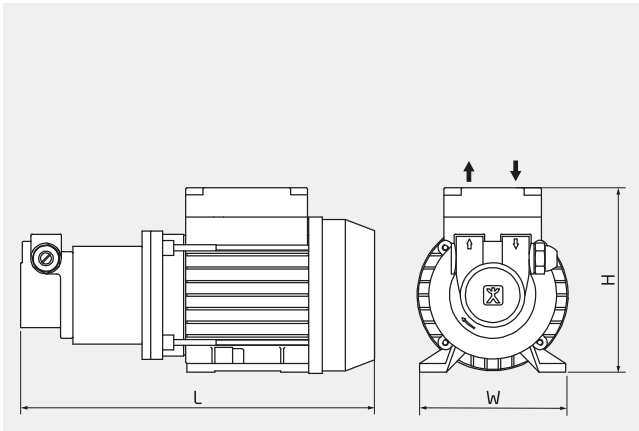


Specifications apply for water at 20°C and nominal speed.

Product type	Roller vane pump
Shaft sealing/coupling	None/magnetic coupling
Pump design	Bracket pump
Typical media	Water max. +70 °C
Self-priming	Yes
Variable speed	Frequency-converter-compatible motor on request
Outlet pressure	0.2-14.0 bar
Flow rate	2-16 l/min
Nominal pressure	PN 20
Motor current type	1~ 3~
Nominal motor speed	2800 rpm
Suction-side connection design	Threaded
Suction-side connection size	G 3/8" and G 1/2"
Pressure-side connection design	Threaded
Pressure-side connection size	G 3/8" and G 1/2"
Explosion protection	None II 3G, II 3D II 2G, II 2D

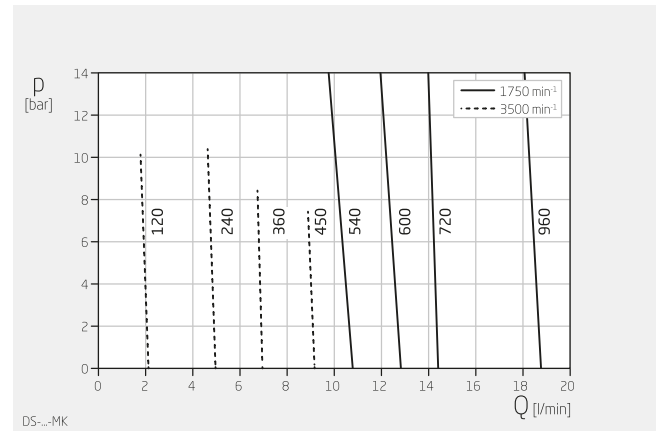
Technical data

International system of units, alternating current 60 Hz



H	151-194 mm
W	120-153 mm
L	291-427 mm

Dimensions may vary depending on the design.

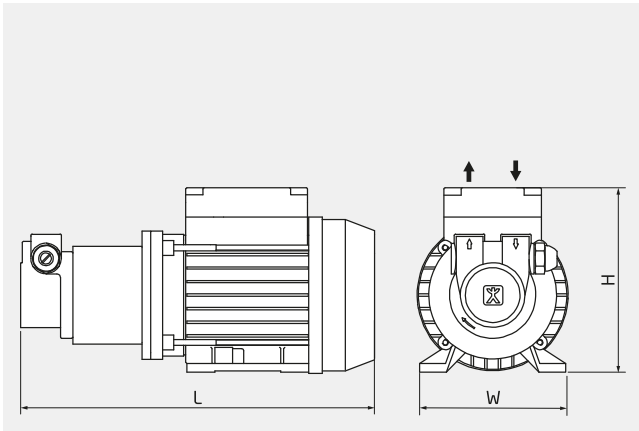


Specifications apply for water at 20°C and nominal speed.

Product type	Roller vane pump
Shaft sealing/coupling	None/magnetic coupling
Pump design	Bracket pump
Typical media	Water max. +70 °C
Self-priming	Yes
Variable speed	Frequency-converter-compatible motor on request
Outlet pressure	0.2-14.0 bar
Flow rate	2-19 l/min
Nominal pressure	PN 20
Motor current type	1~ 3~
Nominal motor speed	3500 rpm
Suction-side connection design	Threaded
Suction-side connection size	G 3/8" and G 1/2"
Pressure-side connection design	Threaded
Pressure-side connection size	G 3/8" and G 1/2"
Explosion protection	None II 3G, II 3D II 2G, II 2D

Technical data

Anglo-American system of measurement, alternating current 60 Hz

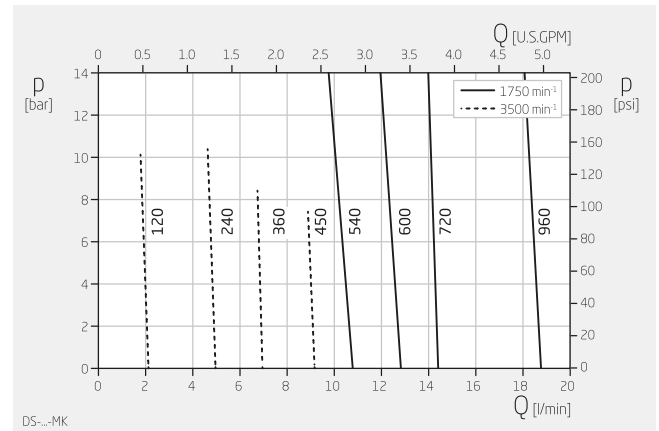


H 5,94-7,64 inch

W 4,72-6,02 inch

L 11,46-16,81 inch

Dimensions may vary depending on the design.



Specifications apply for water at 68°F and nominal speed.

Product type	Roller vane pump
Shaft sealing/coupling	None/magnetic coupling
Pump design	Bracket pump
Typical media	Water max. +158 °F
Self-priming	Yes
Variable speed	Frequency-converter-compatible motor on request
Outlet pressure	3-203 psi
Flow rate	0.5-4.9 USGPM
Nominal pressure	PN 20
Motor current type	1~ 3~
Nominal motor speed	3500 rpm
Suction-side connection design	Threaded
Suction-side connection size	G 3/8" and G 1/2"
Pressure-side connection design	Threaded
Pressure-side connection size	G 3/8" and G 1/2"
Explosion protection	None II 3G, II 3D II 2G, II 2D