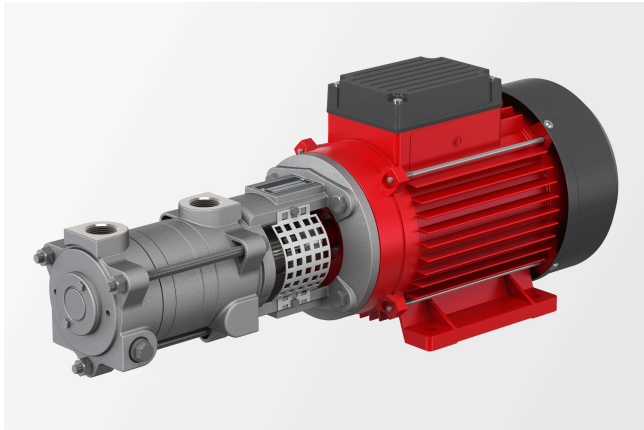


Product data sheet

Side channel pump

Multi-stage bracket pump with mechanical seal



Description

- » Side channel pump
- » Multi-stage
- » Mechanical seal
- » Bracket pump
- » Self-priming
- » Suitable for the delivery of gas shares
- » Suitable for pumping of fluids with no abrasive impurities
- » Medium-specific designs

Markets and applications

Chemical and pharmaceutical industry

- » Condensate drainage

Energy technology

- » Feeding boilers in boiler systems and steam generators
- » Tank farms
- » Pumping of fuel in emergency power plants

Shipping

- » Freshwater transportation

Road and rail

- » Street sweepers
- » Delivery of potable and service water in carriages
- » Fuel pumping

Get in touch with us!

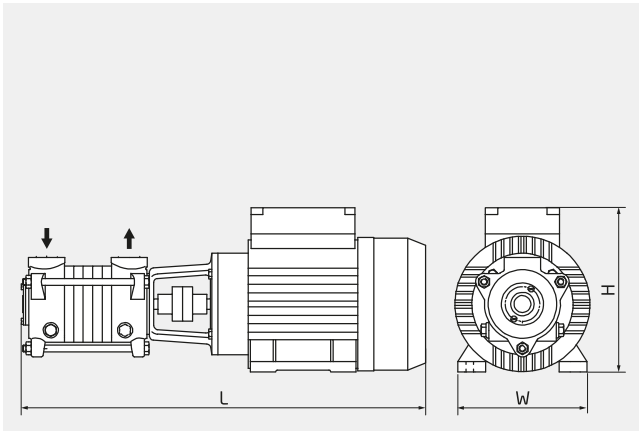
Speck Pumpen Walter Speck GmbH & Co. KG
Regensburger Ring 6-8
91154 Roth
Deutschland

Make a non-binding enquiry

info@speck.de

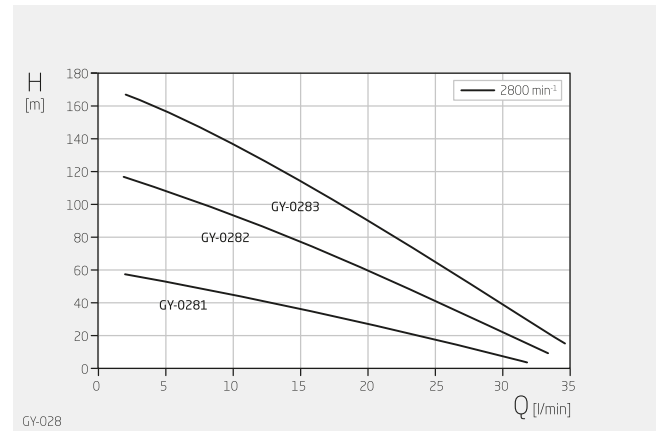
Technical data

International system of units, alternating current 50 Hz



H	190-238 mm
W	138-170 mm
L	395-508 mm

Dimensions may vary depending on the design.

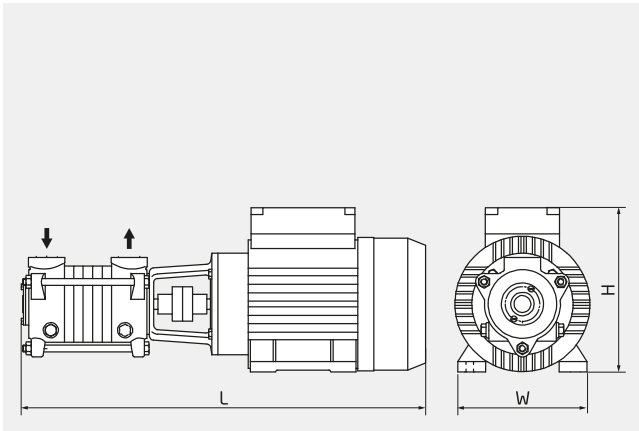


Specifications apply for water at 20°C and nominal speed.

Product type	Side channel pump
Shaft sealing	Mechanical seal
Pump design	Bracket pump
Typical media	Water max. +120 °C
Self-priming	Yes
Variable speed	Frequency-converter-compatible motor on request
Total head	5-170 m
Flow rate	3-34 l/min
Nominal pressure	PN 25
Motor current type	3~
Type of motor	Asynchronous motor
Nominal motor power	0.55 kW - 1.50 kW
Nominal motor speed	2800 rpm
Suction-side connection design	Flange in acc. with DIN EN 1092 Flange in acc. with DIN EN 1092, drilled in acc. with ANSI 150 lbs
Suction-side connection size	G ¾"
Pressure-side connection design	Flange in acc. with DIN EN 1092 Flange in acc. with DIN EN 1092, drilled in acc. with ANSI 150 lbs
Pressure-side connection size	G ¾"
Material designs	Stainless steel Grey cast iron
Explosion protection	None II 3G, II 3D II 2G, II 2D

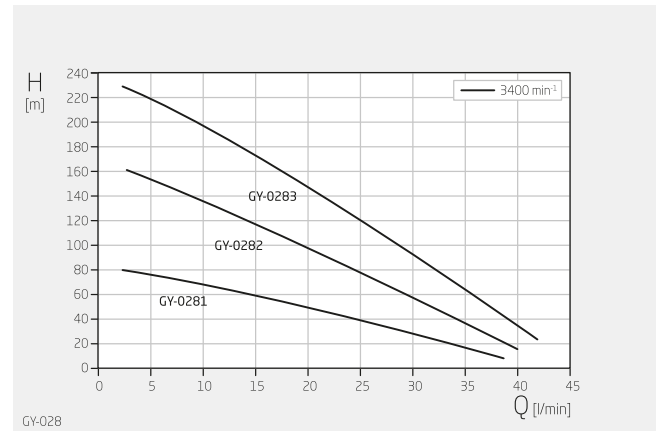
Technical data

International system of units, alternating current 60 Hz



H	190-238 mm
W	138-170 mm
L	395-508 mm

Dimensions may vary depending on the design.

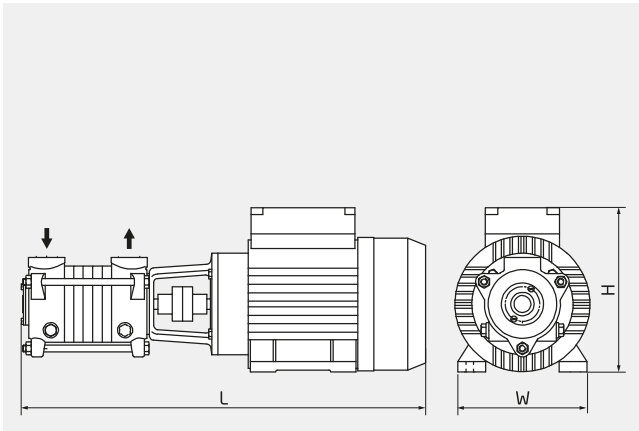


Specifications apply for water at 20°C and nominal speed.

Product type	Side channel pump
Shaft sealing	Mechanical seal
Pump design	Bracket pump
Typical media	Water max. +120 °C
Self-priming	Yes
Variable speed	Frequency-converter-compatible motor on request
Total head	10-230 m
Flow rate	3-42 l/min
Nominal pressure	PN 25
Motor current type	3~
Type of motor	Asynchronous motor
Nominal motor power	0.55 kW - 1.50 kW
Nominal motor speed	3500 rpm
Suction-side connection design	Flange in acc. with DIN EN 1092 Flange in acc. with DIN EN 1092, drilled in acc. with ANSI 150 lbs
Suction-side connection size	G ¾"
Pressure-side connection design	Flange in acc. with DIN EN 1092 Flange in acc. with DIN EN 1092, drilled in acc. with ANSI 150 lbs
Pressure-side connection size	G ¾"
Material designs	Stainless steel Grey cast iron
Explosion protection	None II 3G, II 3D II 2G, II 2D

Technical data

Anglo-American system of measurement, alternating current 60 Hz

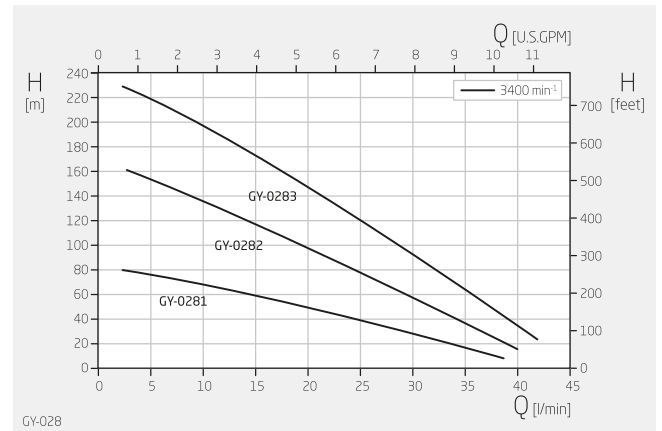


H 7,48-9,37 inch

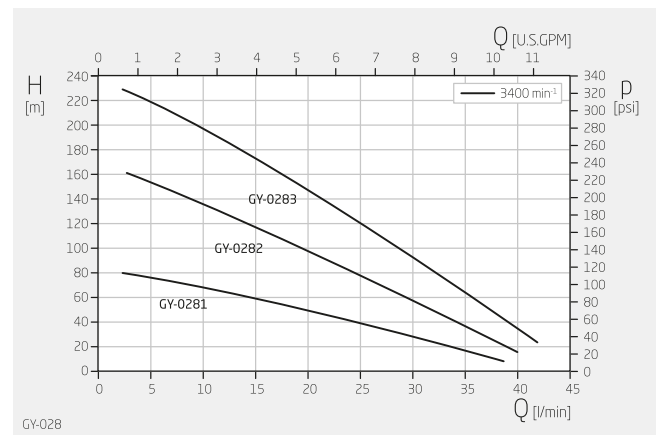
W 5,43-6,69 inch

L 15,55-20,00 inch

Dimensions may vary depending on the design.



Specifications apply for water at 68°F and nominal speed.



Specifications apply for water at 68°F and nominal speed.

Product type	Side channel pump
Shaft sealing	Mechanical seal
Pump design	Bracket pump
Typical media	Water max. +248 °F
Self-priming	Yes
Variable speed	Frequency-converter-compatible motor on request
Total head	33-755 ft
Flow rate	0.8-11.1 USGPM
Nominal pressure	PN 25
Motor current type	3~
Type of motor	Asynchronous motor
Nominal motor power	0.74 – 2.00 HP
Nominal motor speed	3500 rpm
Suction-side connection design	Flange in acc. with DIN EN 1092 Flange in acc. with DIN EN 1092, drilled in acc. with ANSI 150 lbs
Suction-side connection size	G ¾"
Pressure-side connection design	Flange in acc. with DIN EN 1092 Flange in acc. with DIN EN 1092, drilled in acc. with ANSI 150 lbs
Pressure-side connection size	G ¾"
Material designs	Stainless steel Grey cast iron
Explosion protection	None II 3G, II 3D II 2G, II 2D