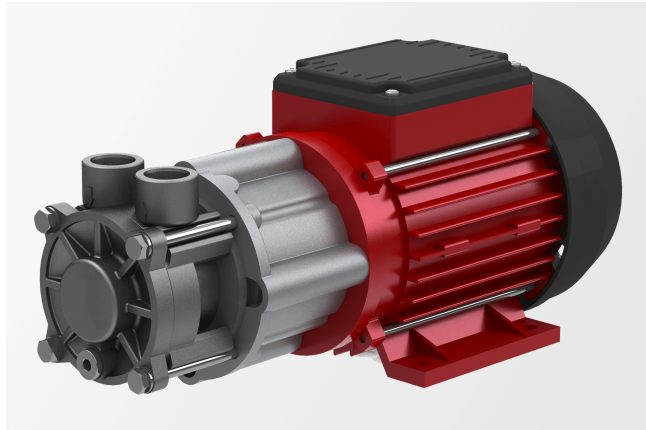


Product data sheet

Regenerative turbine pump

Bracket pump with magnetic coupling



Description

- » Regenerative turbine pump
- » Bracket pump
- » Magnetic coupling
- » Hermetically sealed
- » Suitable for the delivery of gas shares
- » Steep characteristic curve

Markets and applications

Energy technology

- » Delivery and circulation in closed circuits
- » Tempering of tankers
- » Delivery of demineralised water for electrolysis and fuel cell applications

Renewable energies

- » Thermal oil or cooling brine in solar parks

Industrial cooling

- » Chillers/cooling machines
- » Cooling appliances
- » Plasma cutters
- » Industrial lasers
- » Semiconductor manufacturing

Plastics processing

- » Tool tempering for injection moulding

Shipping

- » Compressor cooling with water/glycol mixtures

Road and rail

- » Delivery of potable and service water in carriages
- » Cooling of electrical and mechanical vehicle components, e.g. traction coolers, gearboxes and batteries
- » Tempering of tankers

Temperature control

- » Laboratory tempering devices
- » Hot-water tempering devices
- » Oil tempering devices
- » Roller tempering
- » Tool tempering for aluminium injection moulding
- » Tool tempering for plastic injection moulding
- » Semiconductor manufacturing

Heating and cooling technology

- » Thermal oil systems
- » Filling and emptying thermal oil systems

- » Calenders
- » Transportation of cooling brine

Get in touch with us!

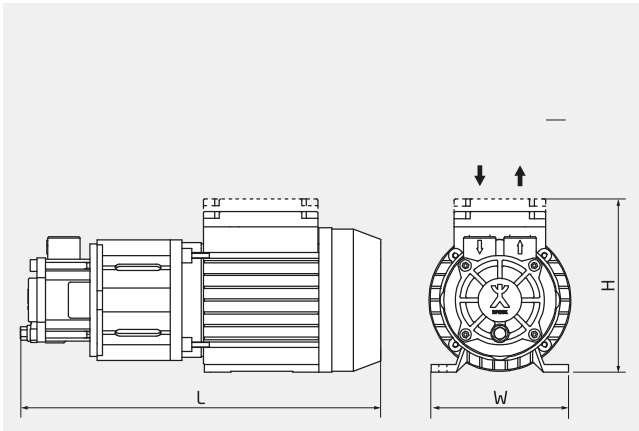
Speck Pumpen Systemtechnik GmbH
Regensburger Ring 6-8
91154 Roth
Deutschland

Make a non-binding enquiry

info@speck.de

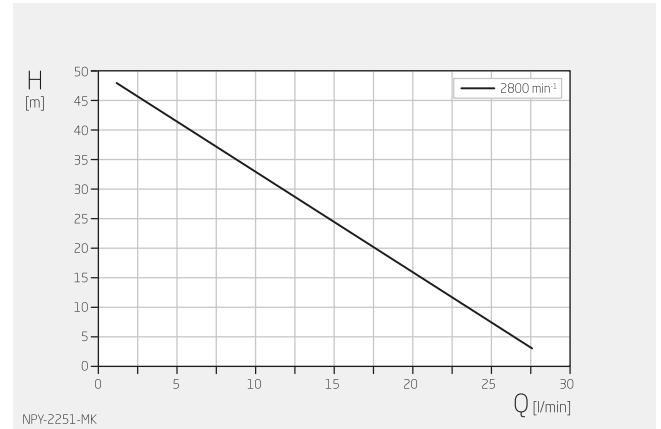
Technical data

International system of units, alternating current 50 Hz



H	140-151 mm
W	120 mm
L	308 mm

Dimensions may vary depending on the design.

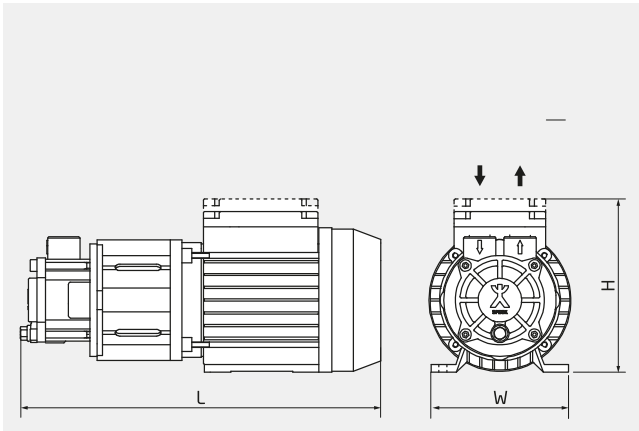


Specifications apply for water at 20°C and nominal speed.

Product type	Regenerative turbine pump
Shaft sealing/coupling	None/magnetic coupling
Pump design	Bracket pump
Typical media	Water max. +160 °C Oil max. +180 °C
Self-priming	No
Variable speed	Frequency-converter-compatible motor on request
Total head	3-48 m
Flow rate	3-27 l/min
Nominal pressure	PN 16 - PN 100
Motor current type	3~
Type of motor	Asynchronous motor
Nominal motor power	0.50/0.55 kW
Nominal motor speed	2800 rpm
Suction-side connection design	Thread: G, NPT, Rc/PT SAE
Suction-side connection size	G ½", SAE ½"
Pressure-side connection design	Thread: G, NPT, Rc/PT SAE
Pressure-side connection size	G ½", SAE ½"
Material designs	Stainless steel
Explosion protection	None II 3G, II 3D II 2G, II 2D

Technical data

International system of units, alternating current 60 Hz



H	140-151 mm
W	120 mm
L	308 mm

Dimensions may vary depending on the design.

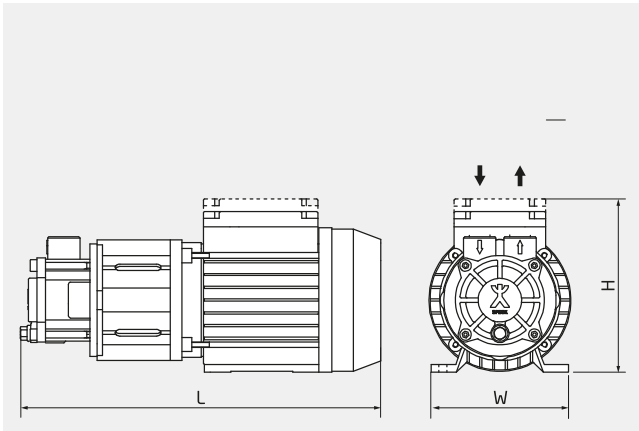


Specifications apply for water at 20°C and nominal speed.

Product type	Regenerative turbine pump
Shaft sealing/coupling	None/magnetic coupling
Pump design	Bracket pump
Typical media	Water max. +160 °C Oil max. +180 °C
Self-priming	No
Variable speed	Frequency-converter-compatible motor on request
Total head	3-48 m
Flow rate	3-27 l/min
Nominal pressure	PN 16 - PN 100
Motor current type	3~
Type of motor	Asynchronous motor
Nominal motor power	0.50/0.55 kW
Nominal motor speed	3400 rpm
Suction-side connection design	Thread: G, NPT, Rc/PT SAE
Suction-side connection size	G ½", SAE ½"
Pressure-side connection design	Thread: G, NPT, Rc/PT SAE
Pressure-side connection size	G ½", SAE ½"
Material designs	Stainless steel
Explosion protection	None II 3G, II 3D II 2G, II 2D

Technical data

Anglo-American system of measurement, alternating current 60 Hz

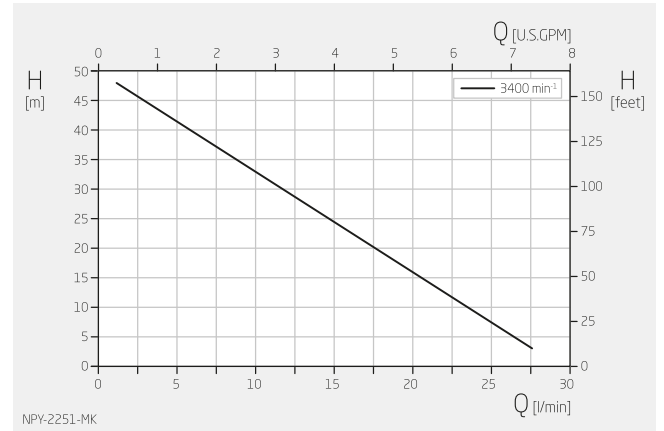


H 5,51-5,94 inch

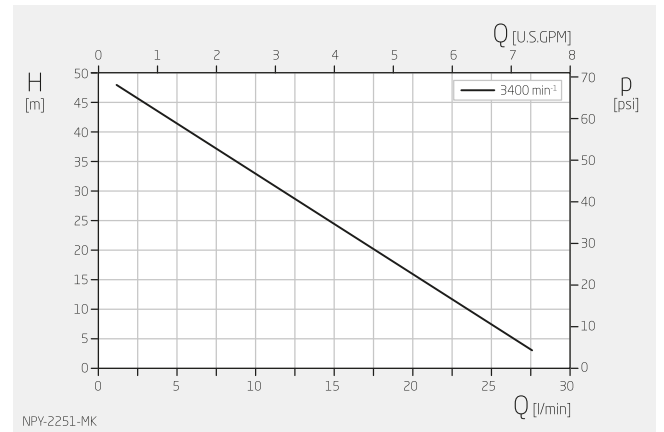
W 4,72 inch

L 12,13 inch

Dimensions may vary depending on the design.



Specifications apply for water at 68°F and nominal speed.



Specifications apply for water at 68°F and nominal speed.

Product type	Regenerative turbine pump
Shaft sealing/coupling	None/magnetic coupling
Pump design	Bracket pump
Typical media	Water max. +320 °F Oil max. +356 °F
Self-priming	No
Variable speed	Frequency-converter-compatible motor on request
Total head	10-157 ft
Flow rate	0.8-7.1 USGPM
Nominal pressure	PN 16 - PN 100
Motor current type	3~
Type of motor	Asynchronous motor
Nominal motor power	0.67/0.74 HP
Nominal motor speed	3400 rpm
Suction-side connection design	Thread: G, NPT, Rc/PT SAE
Suction-side connection size	G ½", SAE ½"
Pressure-side connection design	Thread: G, NPT, Rc/PT SAE
Pressure-side connection size	G ½", SAE ½"
Material designs	Stainless steel
Explosion protection	None II 3G, II 3D II 2G, II 2D