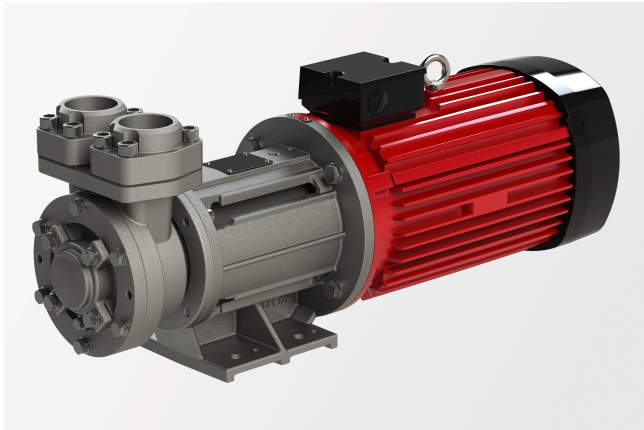


Product data sheet

Regenerative turbine pump

Bracket pump with magnetic coupling



Description

- » Regenerative turbine pump
- » Bracket pump
- » Magnetic coupling
- » Hermetically sealed
- » Suitable for the delivery of gas shares
- » Steep characteristic curve

Markets and applications

Industrial cooling

- » Chillers/cooling machines
- » Cooling appliances
- » Semiconductor manufacturing
- » Industrial processes up to -100°C

Plastics processing

- » Tool tempering for injection moulding

Road and rail

- » Cooling of electrical and mechanical vehicle components, e.g. traction coolers, gearboxes and batteries

Temperature control

- » Laboratory tempering devices
- » Hot-water tempering devices
- » Oil tempering devices
- » Roller tempering
- » Tool tempering for aluminium injection moulding
- » Tool tempering for plastic injection moulding
- » Semiconductor manufacturing

Get in touch with us!

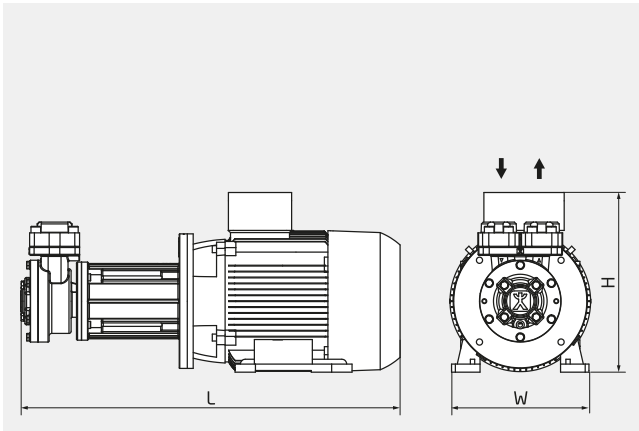
Speck Pumpen Systemtechnik GmbH
Regensburger Ring 6-8
91154 Roth
Deutschland

Make a non-binding enquiry

info@speck.de

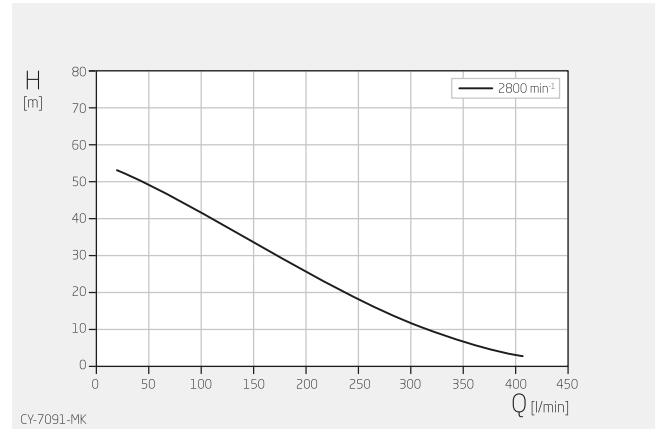
Technical data

International system of units, alternating current 50 Hz



H	202 mm
W	256 mm
L	707 mm

Dimensions may vary depending on the design.

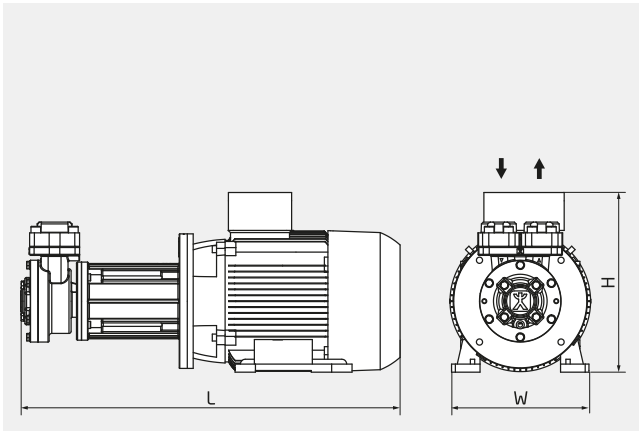


Specifications apply for water at 20°C and nominal speed.

Product type	Regenerative turbine pump
Shaft sealing/coupling	None/magnetic coupling
Pump design	Bracket pump
Typical media	Water max. +200 °C Oil max. +350 °C Dielectric inert fluids min. -100 °C, max. +180 °C
Self-priming	No
Variable speed	Frequency-converter-compatible motor on request
Total head	5-54 m
Flow rate	20-410 l/min
Nominal pressure	PN 16 - PN 50
Motor current type	3~
Type of motor	Asynchronous motor
Nominal motor power	5.5 kW
Nominal motor speed	2900 rpm
Suction-side connection design	SAE
Suction-side connection size	SAE 1 3/4"
Pressure-side connection design	SAE
Pressure-side connection size	SAE 1 3/4"
Material designs	Stainless steel Cast steel
Explosion protection	None

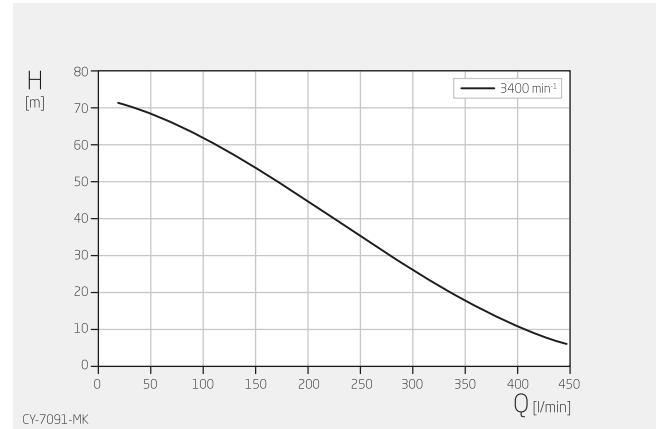
Technical data

International system of units, alternating current 60 Hz



H	202 mm
W	256 mm
L	707 mm

Dimensions may vary depending on the design.

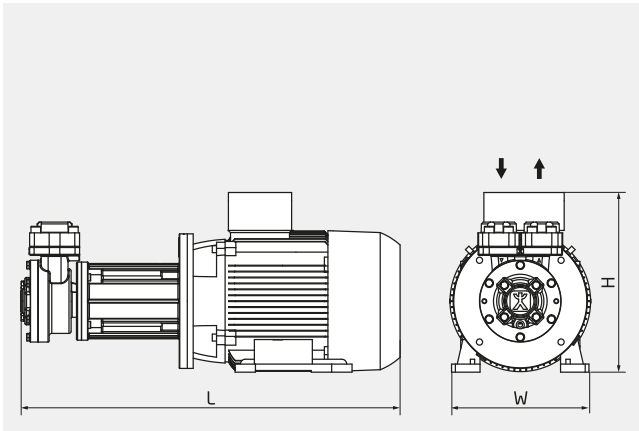


Specifications apply for water at 20°C and nominal speed.

Product type	Regenerative turbine pump
Shaft sealing/coupling	None/magnetic coupling
Pump design	Bracket pump
Typical media	Water max. +200 °C Oil max. +350 °C Dielectric inert fluids min. -100 °C, max. +180 °C
Self-priming	No
Variable speed	Frequency-converter-compatible motor on request
Total head	5-72 m
Flow rate	20-448 l/min
Nominal pressure	PN 16 - PN 50
Motor current type	3~
Type of motor	Asynchronous motor
Nominal motor power	5.5 kW
Nominal motor speed	3500 rpm
Suction-side connection design	SAE
Suction-side connection size	SAE 1 3/4"
Pressure-side connection design	SAE
Pressure-side connection size	SAE 1 3/4"
Material designs	Stainless steel Cast steel
Explosion protection	None

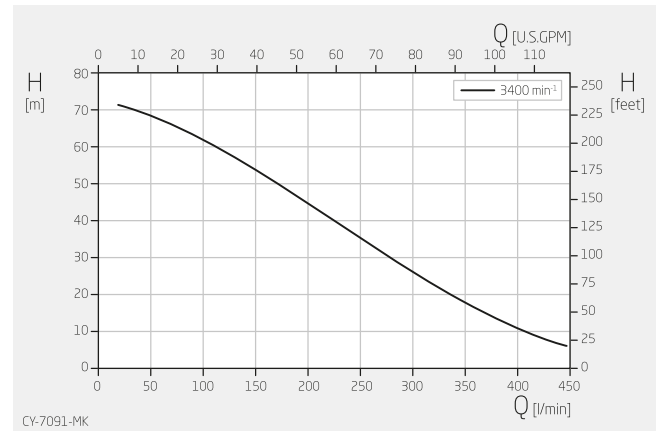
Technical data

Anglo-American system of measurement, alternating current 60 Hz

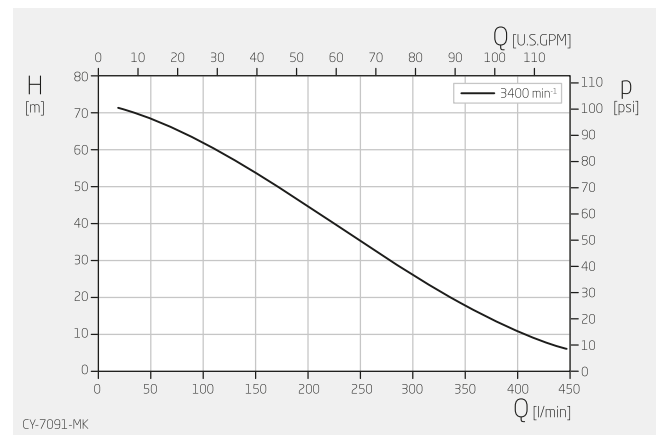


H	7,95 inch
W	10,08 inch
L	27,83 inch

Dimensions may vary depending on the design.



Specifications apply for water at 68°F and nominal speed.



Specifications apply for water at 68°F and nominal speed.

Product type	Regenerative turbine pump
Shaft sealing/coupling	None/magnetic coupling
Pump design	Bracket pump
Typical media	Water max. +392 °F Oil max. +662 °F Dielectric inert fluids min. -148 °F, max. +356 °F
Self-priming	No
Variable speed	Frequency-converter-compatible motor on request
Total head	16-236 ft
Flow rate	5.3-118.3 USGPM
Nominal pressure	PN 16 - PN 50
Motor current type	3~
Type of motor	Asynchronous motor
Nominal motor power	7.4 HP
Nominal motor speed	3500 rpm
Suction-side connection design	SAE
Suction-side connection size	SAE 1 3/4"
Pressure-side connection design	SAE
Pressure-side connection size	SAE 1 3/4"
Material designs	Stainless steel Cast steel
Explosion protection	None