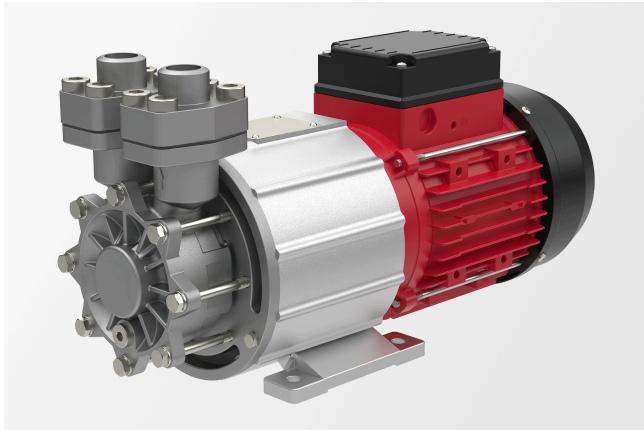


Product data sheet

Regenerative turbine pump

Bracket pump with magnetic coupling



Description

- » Regenerative turbine pump
- » Bracket pump
- » Magnetic coupling
- » Hermetically sealed
- » Suitable for the delivery of gas shares
- » Steep characteristic curve

Markets and applications

Industrial cooling

- » Chillers/cooling machines
- » Cooling appliances
- » Semiconductor manufacturing
- » Industrial processes up to -100°C

Plastics processing

- » Tool tempering for injection moulding

Road and rail

- » Cooling of electrical and mechanical vehicle components, e.g. traction coolers, gearboxes and batteries

Temperature control

- » Laboratory tempering devices
- » Hot-water tempering devices
- » Oil tempering devices
- » Roller tempering
- » Tool tempering for aluminium injection moulding
- » Tool tempering for plastic injection moulding
- » Semiconductor manufacturing

Get in touch with us!

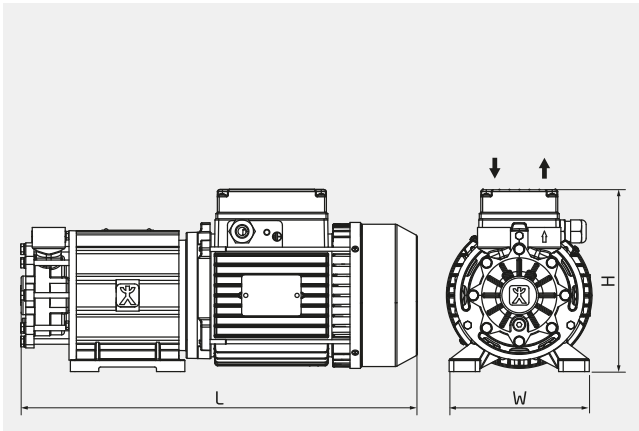
Speck Pumpen Systemtechnik GmbH
 Regensburger Ring 6-8
 91154 Roth
 Deutschland

Make a non-binding enquiry

info@speck.de

Technical data

International system of units, alternating current 50 Hz

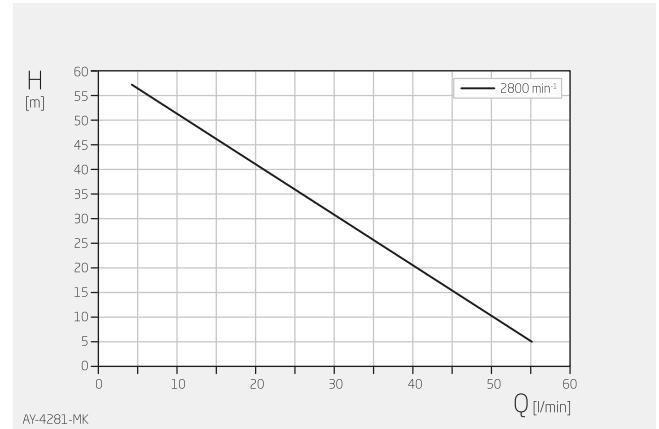


H 148-209 mm

W 139-170 mm

L 334-444 mm

Dimensions may vary depending on the design.

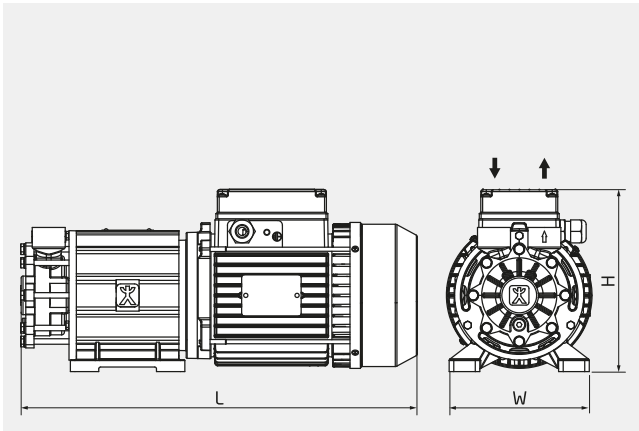


Specifications apply for water at 20°C and nominal speed.

| | |
|---------------------------------|---|
| Product type | Regenerative turbine pump |
| Shaft sealing/coupling | None/magnetic coupling |
| Pump design | Bracket pump |
| Typical media | Water max. +230 °C Oil max. +350 °C Dielectric inert fluids min.-100 °C, max. +180 °C |
| Self-priming | No |
| Variable speed | Frequency-converter-compatible motor on request |
| Total head | 5-57 m |
| Flow rate | 5-55 l/min |
| Nominal pressure | PN 16 - PN 100 |
| Motor current type | 3~ |
| Type of motor | Asynchronous motor |
| Nominal motor power | 1.0 - 2.8 kW |
| Nominal motor speed | 2900 rpm |
| Suction-side connection design | Thread: G, NPT, Rc/PT SAE |
| Suction-side connection size | G ¾", SAE ¾" |
| Pressure-side connection design | Thread: G, NPT, Rc/PT SAE |
| Pressure-side connection size | G ¾", SAE ¾" |
| Material designs | Stainless steel |
| Explosion protection | None II 3G, II 3D II 2G, II 2D |

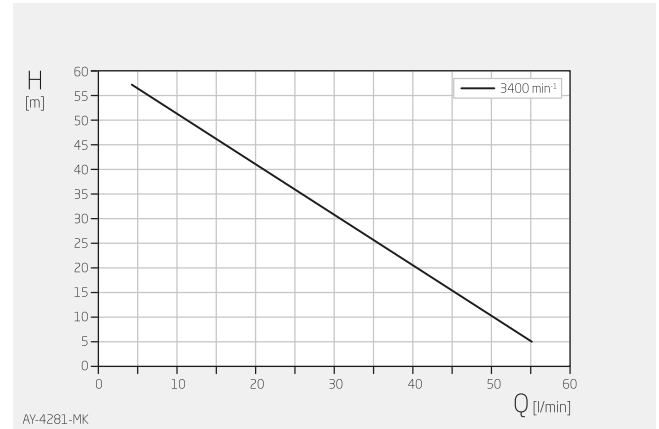
Technical data

International system of units, alternating current 60 Hz



| | |
|---|------------|
| H | 148-209 mm |
| W | 139-170 mm |
| L | 334-444 mm |

Dimensions may vary depending on the design.

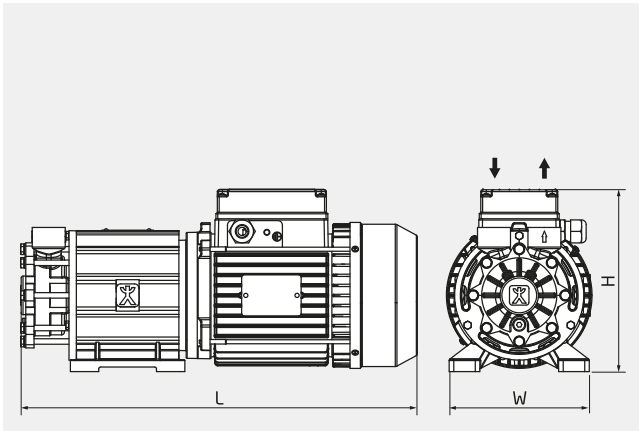


Specifications apply for water at 20°C and nominal speed.

| | |
|---------------------------------|---|
| Product type | Regenerative turbine pump |
| Shaft sealing/coupling | None/magnetic coupling |
| Pump design | Bracket pump |
| Typical media | Water max. +230 °C Oil max. +350 °C Dielectric inert fluids min.-100 °C, max. +180 °C |
| Self-priming | No |
| Variable speed | Frequency-converter-compatible motor on request |
| Total head | 5-57 m |
| Flow rate | 5-55 l/min |
| Nominal pressure | PN 16 - PN 100 |
| Motor current type | 3~ |
| Type of motor | Asynchronous motor |
| Nominal motor power | 1.0 - 2.8 kW |
| Nominal motor speed | 3500 rpm |
| Suction-side connection design | Thread: G, NPT, Rc/PT SAE |
| Suction-side connection size | G ¾", SAE ¾" |
| Pressure-side connection design | Thread: G, NPT, Rc/PT SAE |
| Pressure-side connection size | G ¾", SAE ¾" |
| Material designs | Stainless steel |
| Explosion protection | None II 3G, II 3D II 2G, II 2D |

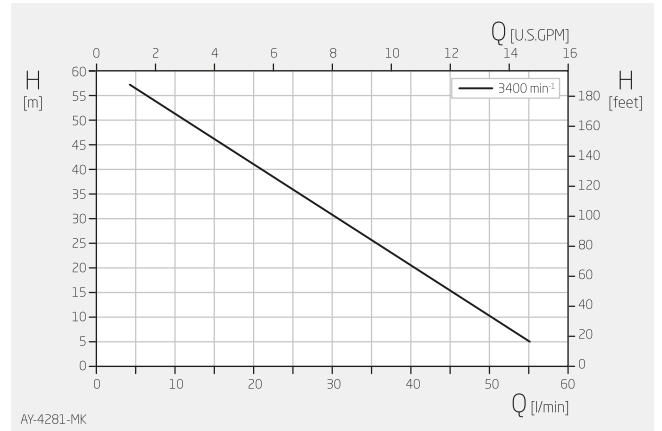
Technical data

Anglo-American system of measurement, alternating current 60 Hz

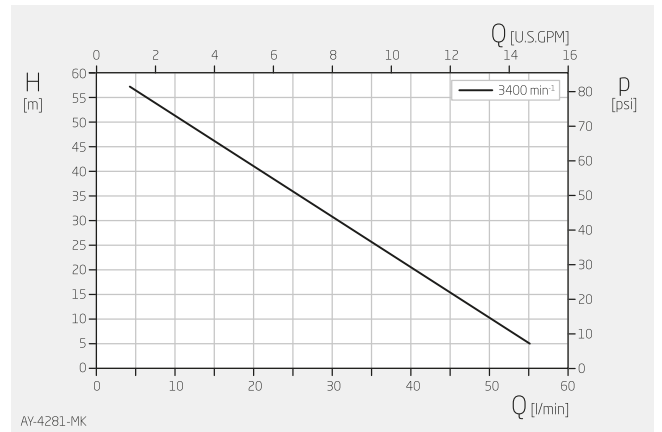


| | |
|---|------------------|
| H | 5,83-8,23 inch |
| W | 5,47-6,69 inch |
| L | 13,15-17,48 inch |

Dimensions may vary depending on the design.



Specifications apply for water at 68°F and nominal speed.



Specifications apply for water at 68°F and nominal speed.

| | |
|---------------------------------|---|
| Product type | Regenerative turbine pump |
| Shaft sealing/coupling | None/magnetic coupling |
| Pump design | Bracket pump |
| Typical media | Water max. +446 °F Oil max. +662 °F Dielectric inert fluids min.-148 °F, max. +356 °F |
| Self-priming | No |
| Variable speed | Frequency-converter-compatible motor on request |
| Total head | 16-187 ft |
| Flow rate | 1.3-14.5 USGPM |
| Nominal pressure | PN 16 - PN 100 |
| Motor current type | 3~ |
| Type of motor | Asynchronous motor |
| Nominal motor power | 1.3 - 3.7 HP |
| Nominal motor speed | 3500 rpm |
| Suction-side connection design | Thread: G, NPT, Rc/PT SAE |
| Suction-side connection size | G ¾", SAE ¾" |
| Pressure-side connection design | Thread: G, NPT, Rc/PT SAE |
| Pressure-side connection size | G ¾", SAE ¾" |
| Material designs | Stainless steel |
| Explosion protection | None II 3G, II 3D II 2G, II 2D |