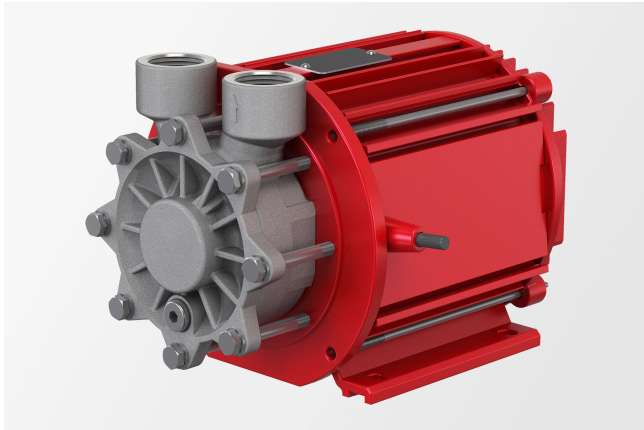


Product data sheet

Regenerative turbine pump

Speed-controlled, hermetically sealed, compact and fanless pump



Description

- » Regenerative turbine pump
- » Canned motor
- » Operation with a frequency converter
- » Motor efficiency level better than IE4
- » Fanless
- » Motor cast with epoxy resin:
No build-up of condensation
Improved heat transfer
Protected from vibration and oscillation
- » Compact
- » Suitable for the delivery of gas shares
- » Long-lasting

Markets and applications

Industrial cooling

- » Chillers/cooling machines
- » Cooling appliances
- » Semiconductor manufacturing
- » Direct chip cooling in data centres

Plastics processing

- » Tool tempering for injection moulding

Road and rail

- » Cooling of electrical and mechanical vehicle components, e.g. traction coolers, gearboxes and batteries

Temperature control

- » Laboratory tempering devices
- » Hot-water tempering devices
- » Oil tempering devices
- » Roller tempering
- » Tool tempering for aluminium injection moulding
- » Tool tempering for plastic injection moulding
- » Semiconductor manufacturing

Get in touch with us!

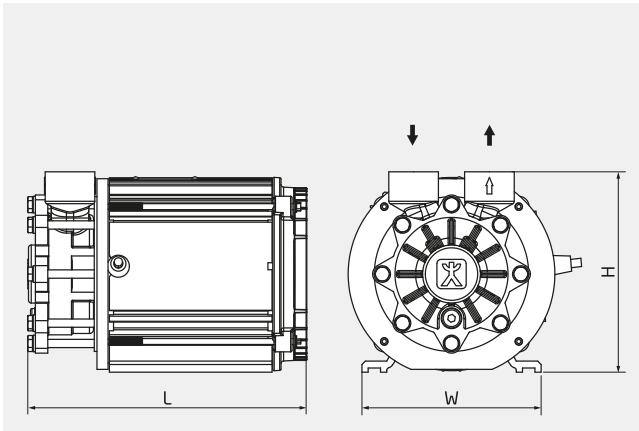
Speck Pumpen Walter Speck GmbH & Co. KG
Regensburger Ring 6-8
91154 Roth
Deutschland

Make a non-binding enquiry

info@speck.de

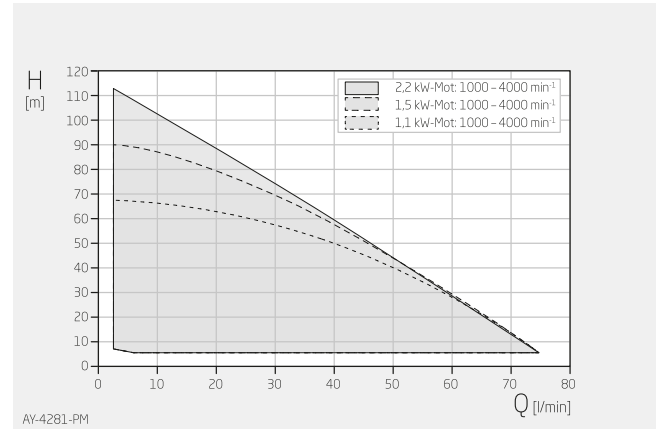
Technical data

International system of units, alternating current



H	145 mm
W	130 mm
L	173-203 mm

Dimensions may vary depending on the design.

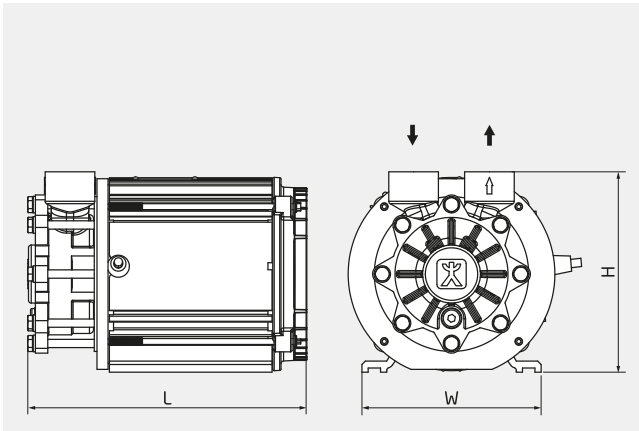


Specifications apply for water at 20°C
Within the characteristic diagrams, each operating point is possible through parametrisation of the drive.

Product type	Regenerative turbine pump
Shaft sealing	None
Pump design	Canned motor pump
Typical media	Water max. +100 °C Oil max. +100 °C Dielectric inert fluids min. -60 °C, max. +100 °C
Self-priming	No
Variable speed	Yes
Total head	8-117 m
Flow rate	3-75 l/min
Nominal pressure	PN 12
Motor current type	3~, DC on request
Type of motor	Synchronous motor
Nominal motor power	1.1 - 2.2 kW
Nominal motor speed	1000 - 4000 rpm
Suction-side connection design	Thread: G, NPT, Rc/PT
Suction-side connection size	G 3/4"
Pressure-side connection design	Thread: G, NPT, Rc/PT
Pressure-side connection size	G 3/4"
Material designs	Stainless steel
Explosion protection	None

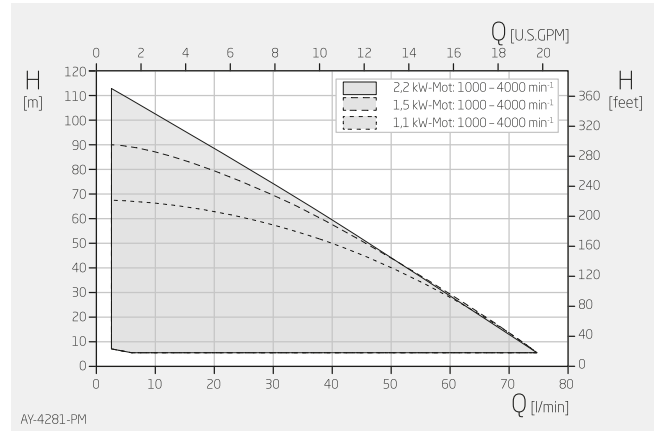
Technical data

Anglo-American system of measurement, alternating current

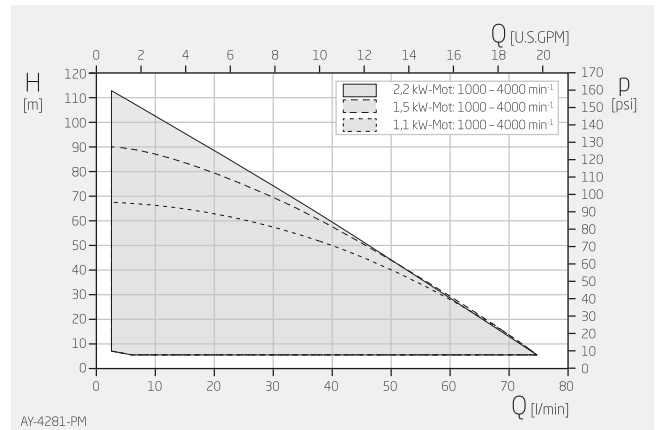


H 5,71 inch
W 5,12 inch
L 6,81-7,99 inch

Dimensions may vary depending on the design.



Specifications apply for water at 68°F
Within the characteristic diagrams, each operating point is possible through corresponding parametrisation of the drive.



Specifications apply for water at 68°F
Within the characteristic diagrams, each operating point is possible through corresponding parametrisation of the drive.

Product type	Regenerative turbine pump
Shaft sealing	None
Pump design	Canned motor pump
Typical media	Water max. +212 °F Oil max. +212 °F Dielectric inert fluids min. -76 °F, max. +212 °F
Self-priming	No
Variable speed	Yes
Total head	26-384 ft
Flow rate	0.8-19.8 USGPM
Nominal pressure	PN 12
Motor current type	3~, DC on request
Type of motor	Synchronous motor
Nominal motor power	1.5 - 3.0 HP
Nominal motor speed	1000 - 4000 rpm
Suction-side connection design	Thread: G, NPT, Rc/PT
Suction-side connection size	G ¾"
Pressure-side connection design	Thread: G, NPT, Rc/PT
Pressure-side connection size	G ¾"
Material designs	Stainless steel
Explosion protection	None