

Product data sheet

Regenerative turbine pump

Canned motor pump with optional speed control



Description

- » Regenerative turbine pump
- » Canned motor pump
- » Adjustable speed
- » Compact
- » Suitable for the delivery of gas shares
- » Steep characteristic curve
- » Long-lasting

Markets and applications

Medical technology

- » Computer tomographs
- » C-arms (X-ray machines)

Get in touch with us!

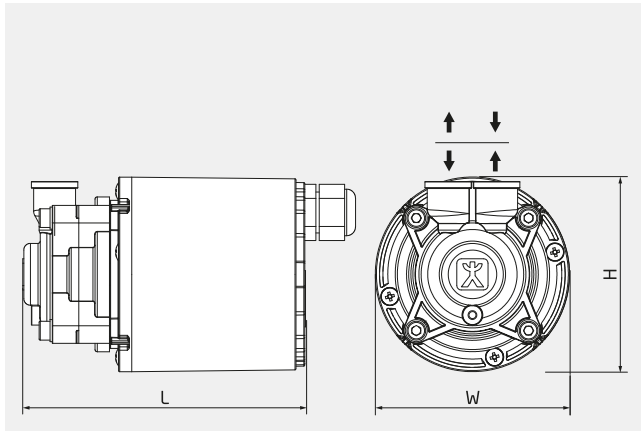
Speck Pumpen Systemtechnik GmbH
Regensburger Ring 6-8
91154 Roth
Deutschland

Make a non-binding enquiry

info@speck.de

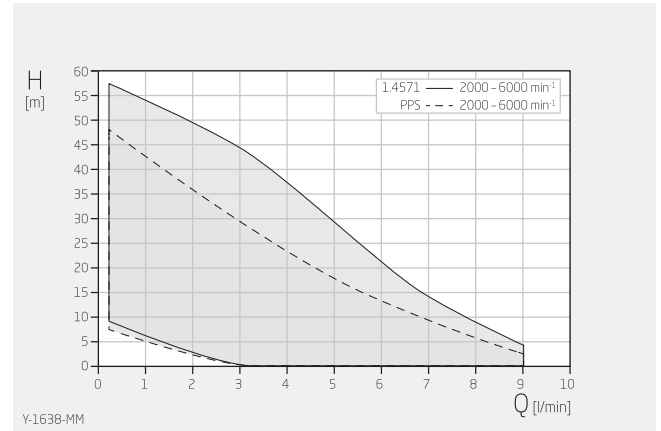
Technical data

International system of units, direct current



H	88 mm
W	88 mm
L	151 mm

Dimensions may vary depending on the design.



Specifications apply for water at 20°C
 Within the characteristic diagrams, each operating point is possible through parametrisation of the drive.

Product type Regenerative turbine pump

Shaft sealing None/canned motor

Pump design Canned motor pump

Typical media Water max. +80 °C
 Oil max. +80 °C
 Water/glycol mixture max. +80 °C

Self-priming No

Variable speed Yes

Total head 3-57 m

Flow rate 0.3-9 l/min

Nominal pressure PN 6 – PN 10

Motor current type Direct current

Type of motor DC motor BLDC

Nominal motor voltage 24 V
 48 V on request

Nominal motor power 150 W

Nominal motor speed 2000 – 6000 rpm

Suction-side connection design Thread: G, NPT, Rc/PT

Suction-side connection size G ¼"

Pressure-side connection design Thread: G, NPT, Rc/PT

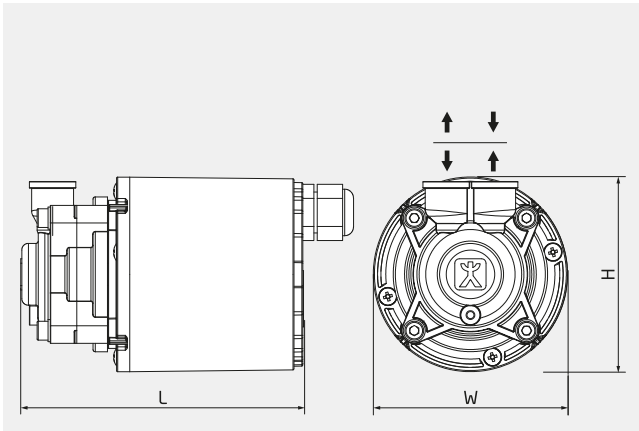
Pressure-side connection size G ¼"

Material designs Stainless steel
 PPS

Explosion protection None

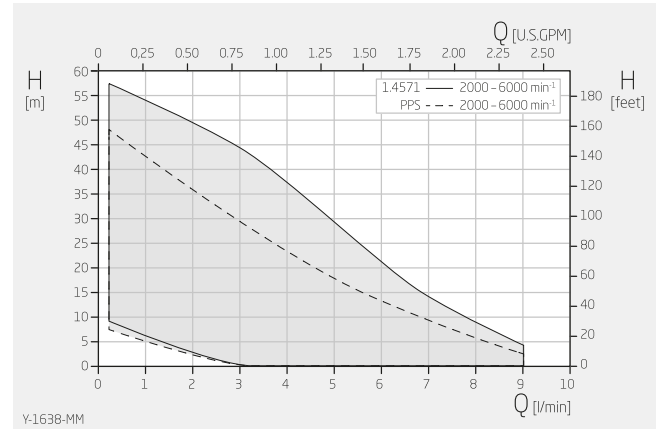
Technical data

Anglo-American system of measurement, direct current

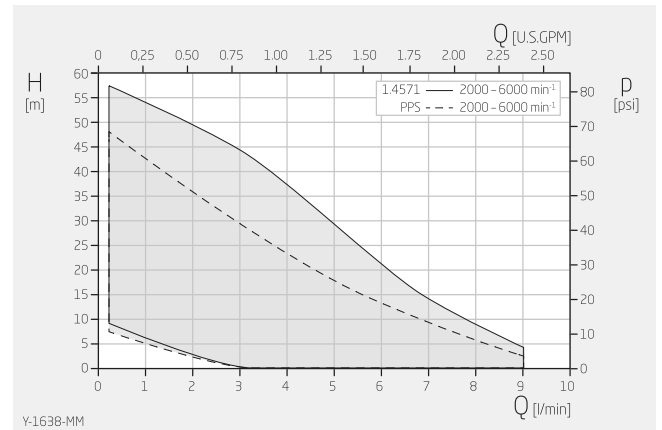


H	3,46 inch
W	3,46 inch
L	5,94 inch

Dimensions may vary depending on the design.



Specifications apply for water at 68°F
Within the characteristic diagrams, each operating point is possible through corresponding parametrisation of the drive.



Specifications apply for water at 68°F
Within the characteristic diagrams, each operating point is possible through corresponding parametrisation of the drive.

Product type	Regenerative turbine pump
Shaft sealing	None/canned motor
Pump design	Canned motor pump
Typical media	Water max. +176 °F Oil max. +176 °F Water/glycol mixture max. +176 °F
Self-priming	No
Variable speed	Yes
Total head	3-187 ft
Flow rate	0.1-2.4 USGPM
Nominal pressure	PN 6 - PN 10
Motor current type	Direct current
Type of motor	DC motor BLDC
Nominal motor voltage	24 V 48 V on request
Nominal motor power	0.20 HP
Nominal motor speed	2000 - 6000 rpm
Suction-side connection design	Thread: G, NPT, Rc/PT
Suction-side connection size	G ¼"
Pressure-side connection design	Thread: G, NPT, Rc/PT
Pressure-side connection size	G ¼"

Material designs

Stainless steel
PPS

Explosion protection

None