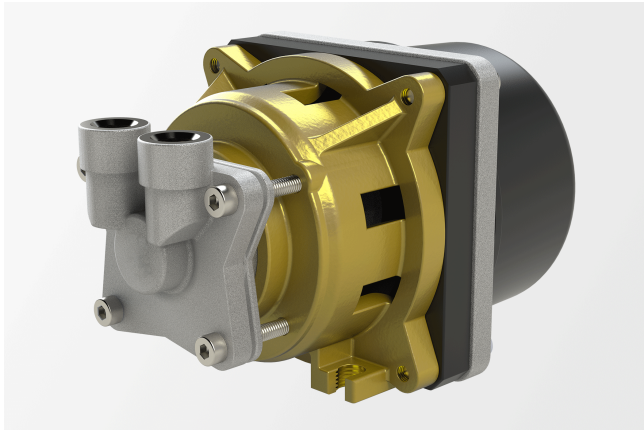


Product data sheet

Regenerative turbine pump

Bracket pump with magnetic coupling



Description

- » Regenerative turbine pump
- » Bracket pump
- » Magnetic coupling
- » Hermetically sealed
- » Suitable for the delivery of gas shares
- » Steep characteristic curve

Markets and applications

Industrial cooling

- » Chillers/cooling machines
- » Cooling appliances
- » Welding appliances
- » Plasma cutters

Medical technology

- » Dialysis

Get in touch with us!

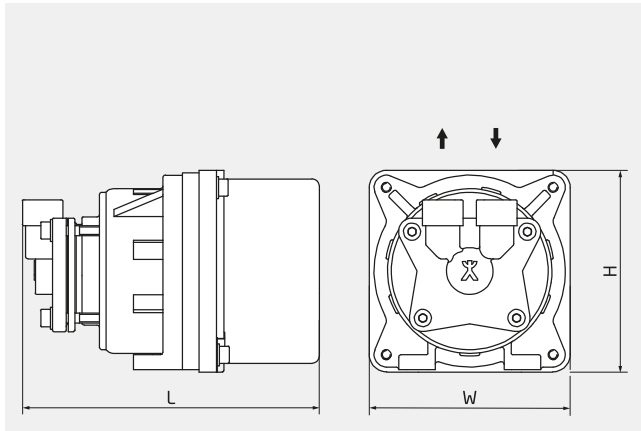
Speck Pumpen Systemtechnik GmbH
Regensburger Ring 6-8
91154 Roth
Deutschland

Make a non-binding enquiry

info@speck.de

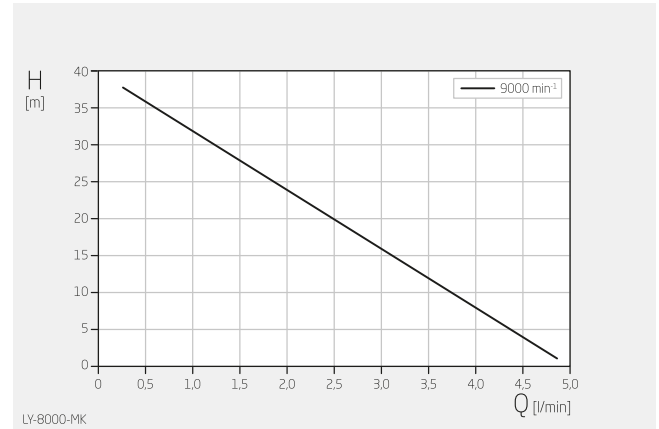
Technical data

International system of units, direct current



H	82 mm
W	82 mm
L	121 mm

Dimensions may vary depending on the design.

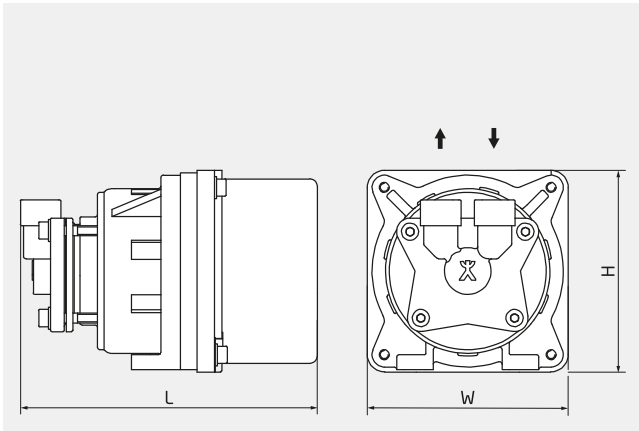


Specifications apply for water at 20°C and nominal speed.

Product type	Regenerative turbine pump
Shaft sealing/coupling	None/magnetic coupling
Pump design	Bracket pump
Typical media	Water max. +80 °C Oil max. +80 °C Water/glycol mixture max. +80 °C
Self-priming	No
Variable speed	No
Total head	1–38 m
Flow rate	1–5 l/min
Nominal pressure	PN 10 – PN 16
Motor current type	Direct current
Type of motor	DC motor BLDC
Nominal motor voltage	24 V
Nominal motor power	80 W
Nominal motor speed	9000 rpm
Suction-side connection design	Thread: G, NPT, Rc/PT
Suction-side connection size	G 1/8"
Pressure-side connection design	Thread: G, NPT, Rc/PT
Pressure-side connection size	G 1/8"
Material designs	Stainless steel Brass
Explosion protection	None

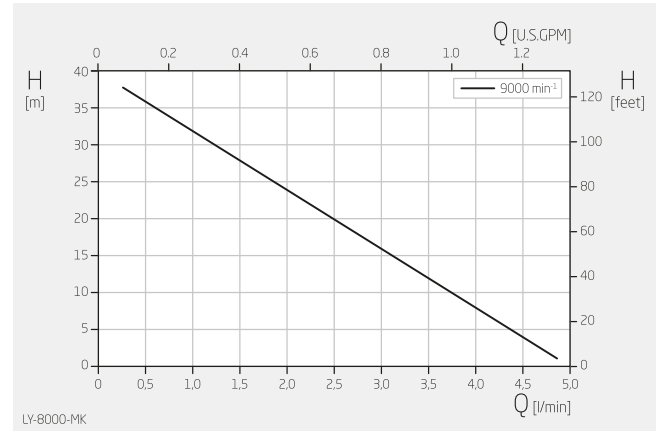
Technical data

Anglo-American system of measurement, direct current

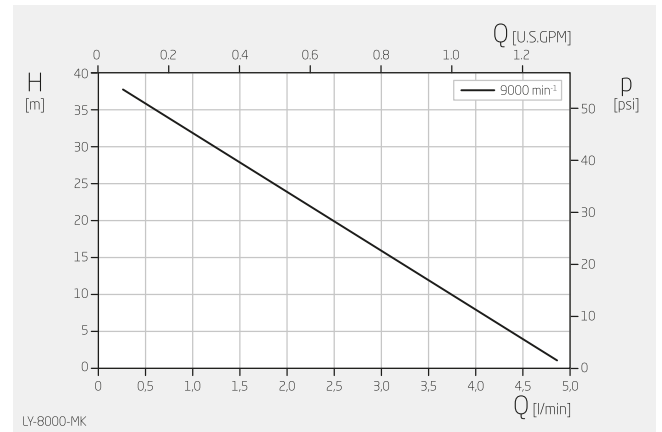


H 3,23 inch
W 3,23 inch
L 4,76 inch

Dimensions may vary depending on the design.



Specifications apply for water at 68°F and nominal speed.



Specifications apply for water at 68°F and nominal speed.

Product type	Regenerative turbine pump
Shaft sealing/coupling	None/magnetic coupling
Pump design	Bracket pump
Typical media	Water max. +176 °F Oil max. +176 °F Water/glycol mixture max. +176 °F
Self-priming	No
Variable speed	No
Total head	3-125 ft
Flow rate	0.3-1.2 USGPM
Nominal pressure	PN 10 - PN 16
Motor current type	Direct current
Type of motor	DC motor BLDC
Nominal motor voltage	24 V
Nominal motor power	0.11 HP
Nominal motor speed	9000 rpm
Suction-side connection design	Thread: G, NPT, Rc/PT
Suction-side connection size	G 1/8"
Pressure-side connection design	Thread: G, NPT, Rc/PT
Pressure-side connection size	G 1/8"
Material designs	Stainless steel Brass
Explosion protection	None