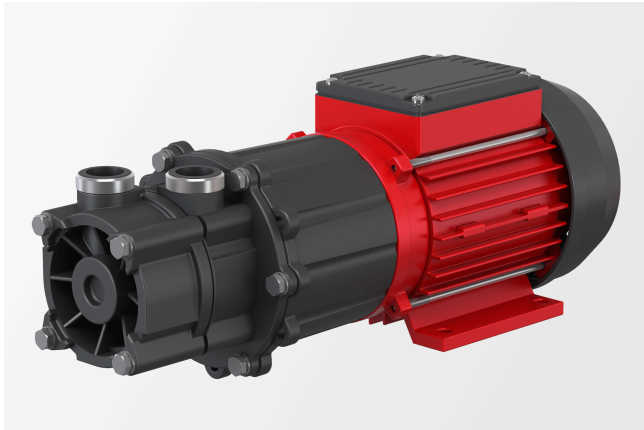


Product data sheet

Regenerative turbine pump

Bracket pump with magnetic coupling



Description

- » Regenerative turbine pump
- » Bracket pump
- » Magnetic coupling
- » Hermetically sealed
- » Suitable for the delivery of gas shares
- » Steep characteristic curve

Markets and applications

Industrial cooling

- » Chillers/cooling machines

Food and beverage industry

- » Curing systems

Temperature control

- » Hot-water tempering devices
- » Oil tempering devices

Get in touch with us!

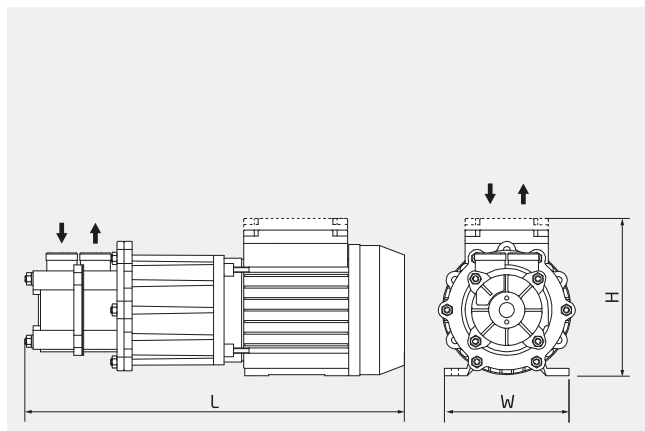
Speck Pumpen Systemtechnik GmbH
 Regensburger Ring 6-8
 91154 Roth
 Deutschland

Make a non-binding enquiry

info@speck.de

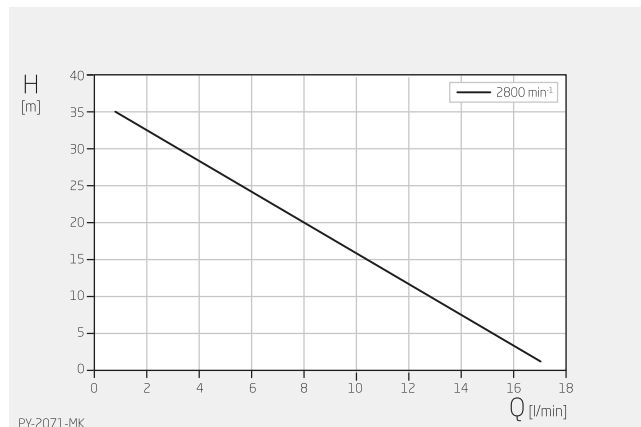
Technical data

International system of units, alternating current 50 Hz



H	140-175 mm
W	120-138 mm
L	358-366 mm

Dimensions may vary depending on the design.

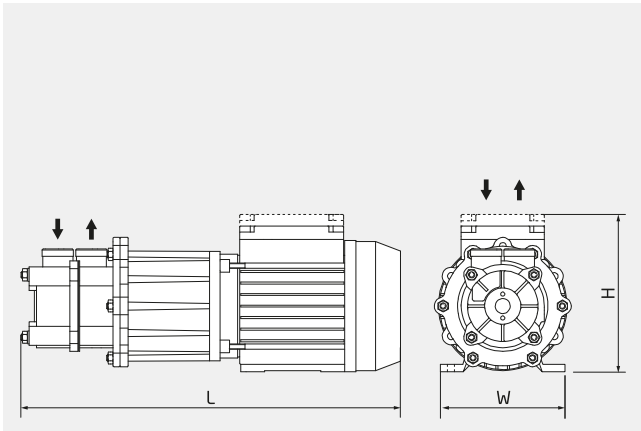


Specifications apply for water at 20°C and nominal speed.

Product type	Regenerative turbine pump
Shaft sealing/coupling	None/magnetic coupling
Pump design	Bracket pump
Typical media	Potable and service water max. +90 °C Chemicals, e.g. acids and lyes
Self-priming	No
Variable speed	Frequency-converter-compatible motor on request
Total head	2-35 m
Flow rate	2-17 l/min
Nominal pressure	PN 6 – PN 12
Motor current type	1~/3~
Type of motor	Asynchronous motor
Nominal motor power	0.25 – 0.55 kW
Nominal motor speed	2800 rpm
Suction-side connection design	Thread: G, NPT, Rc/PT
Suction-side connection size	G 1/2"
Pressure-side connection design	Thread: G, NPT, Rc/PT
Pressure-side connection size	G 1/2"
Material designs	Plastic
Explosion protection	None

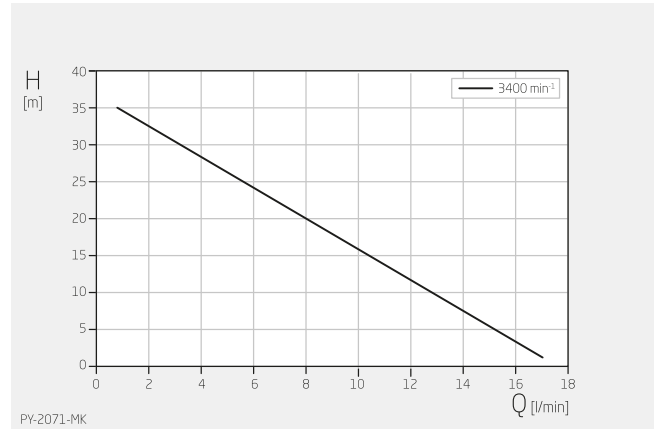
Technical data

International system of units, alternating current 60 Hz



H	140-175 mm
W	120-138 mm
L	358-366 mm

Dimensions may vary depending on the design.

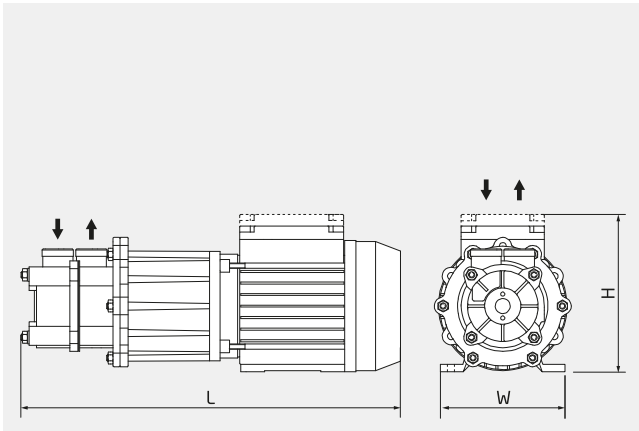


Specifications apply for water at 20°C and nominal speed.

Product type	Regenerative turbine pump
Shaft sealing/coupling	None/magnetic coupling
Pump design	Bracket pump
Typical media	Potable and service water max. +90 °C Chemicals, e.g. acids and lyes
Self-priming	No
Variable speed	Frequency-converter-compatible motor on request
Total head	2-35 m
Flow rate	2-17 l/min
Nominal pressure	PN 6 – PN 12
Motor current type	1~/3~
Type of motor	Asynchronous motor
Nominal motor power	0.25 – 0.55 kW
Nominal motor speed	3400 rpm
Suction-side connection design	Thread: G, NPT, Rc/PT
Suction-side connection size	G ½"
Pressure-side connection design	Thread: G, NPT, Rc/PT
Pressure-side connection size	G ½"
Material designs	Plastic
Explosion protection	None

Technical data

Anglo-American system of measurement, alternating current 60 Hz

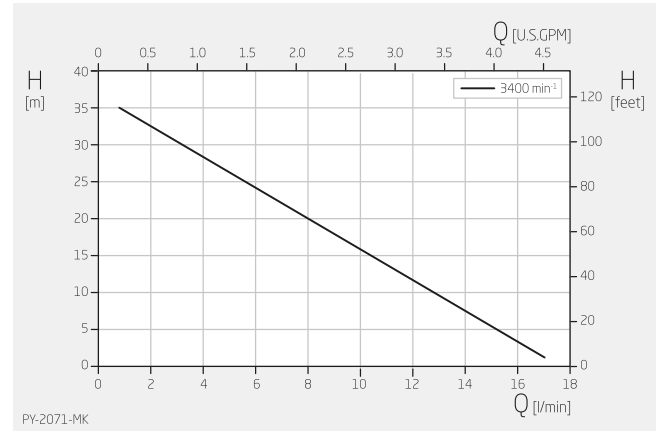


H 5,51-6,89 inch

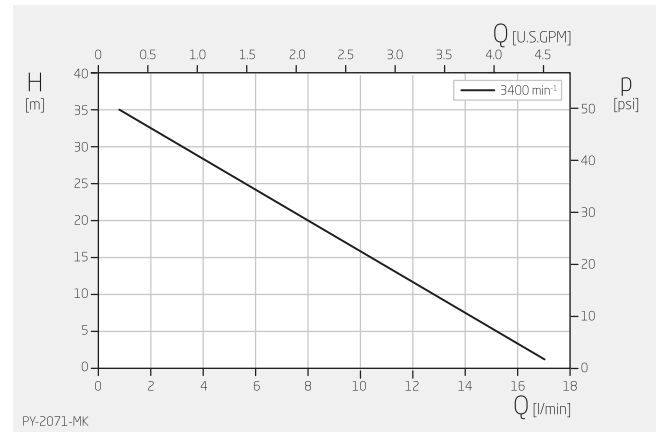
W 4,72-5,43 inch

L 14,09-14,41 inch

Dimensions may vary depending on the design.



Specifications apply for water at 68°F and nominal speed.



Specifications apply for water at 68°F and nominal speed.

Product type	Regenerative turbine pump
Shaft sealing/coupling	None/magnetic coupling
Pump design	Bracket pump
Typical media	Potable and service water max. +194 °F Chemicals, e.g. acids and lyes
Self-priming	No
Variable speed	Frequency-converter-compatible motor on request
Total head	7-115 ft
Flow rate	0.5-4.5 USGPM
Nominal pressure	PN 6 - PN 12
Motor current type	1~/3~
Type of motor	Asynchronous motor
Nominal motor power	0.44 - 0.99 HP
Nominal motor speed	3400 rpm
Suction-side connection design	Thread: G, NPT, Rc/PT
Suction-side connection size	G ½"
Pressure-side connection design	Thread: G, NPT, Rc/PT
Pressure-side connection size	G ½"
Material designs	Plastic
Explosion protection	None