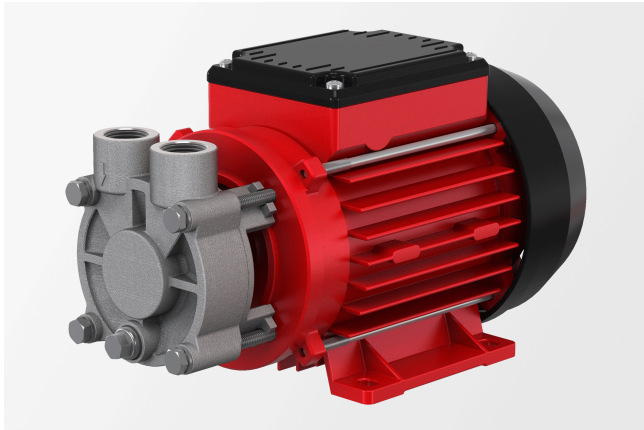


Product data sheet

Regenerative turbine pump

Close-coupled pump with mechanical seal



Description

- » Regenerative turbine pump
- » Close-coupled pump
- » Mechanical seal
- » Suitable for the delivery of gas shares
- » High pressures with a compact design
- » Steep characteristic curve

Markets and applications

Industrial cooling

- » Chillers/cooling machines
- » Cooling appliances
- » Welding appliances
- » Plasma cutters
- » Industrial lasers

Temperature control

- » Laboratory tempering devices
- » Hot-water tempering devices
- » Oil tempering devices
- » Tool tempering for plastic injection moulding

Get in touch with us!

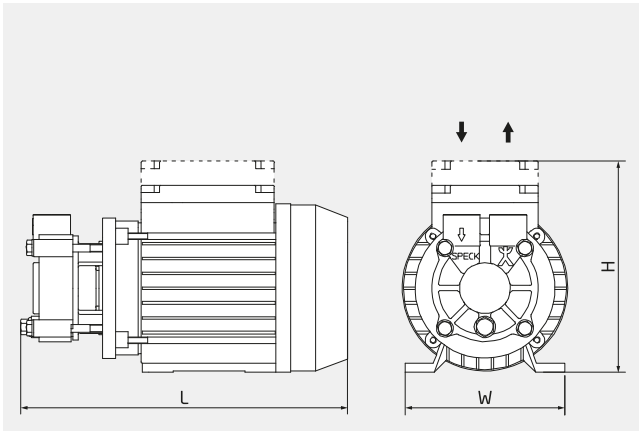
Speck Pumpen Walter Speck GmbH & Co. KG
Regensburger Ring 6-8
91154 Roth
Deutschland

Make a non-binding enquiry

info@speck.de

Technical data

International system of units, alternating current 50 Hz

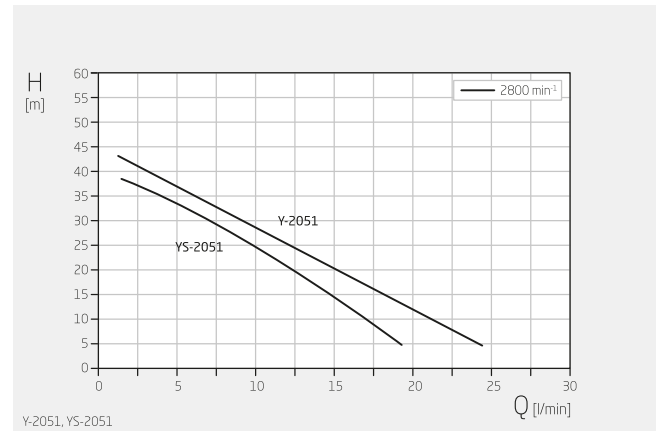


H 140-158 mm

W 120 mm

L 241 mm

Dimensions may vary depending on the design.

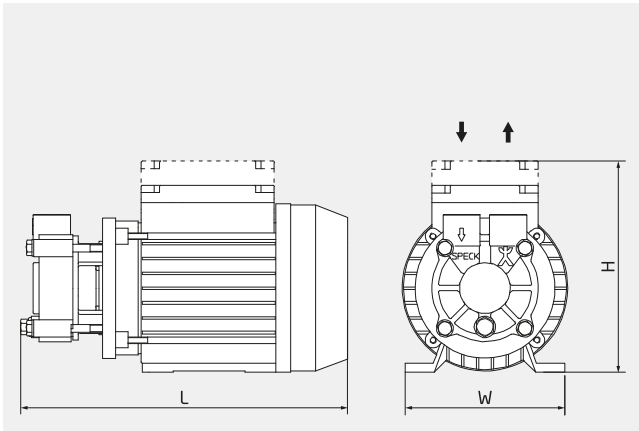


Specifications apply for water at 20°C and nominal speed.

Product type	Regenerative turbine pump
Shaft sealing	Mechanical seal
Pump design	Close-coupled pump
Typical media	Water max. +140 °C Oil max. +140 °C
Self-priming	No
Variable speed	Frequency-converter-compatible motor on request
Total head	5-47 m
Flow rate	2-24 l/min
Nominal pressure	PN 10
Motor current type	1~ 3~
Type of motor	Asynchronous motor
Nominal motor power	0.35 - 0.5 kW
Nominal motor speed	2800 rpm
Suction-side connection design	Thread: G, NPT
Suction-side connection size	Top/top: G ½" ax/top G 1"
Pressure-side connection design	Thread: G, NPT
Pressure-side connection size	Top/top: G ½" ax/top G ½"
Material designs	Stainless steel Brass PPS
Explosion protection	None II 3G, II 3D II 2G, II 2D

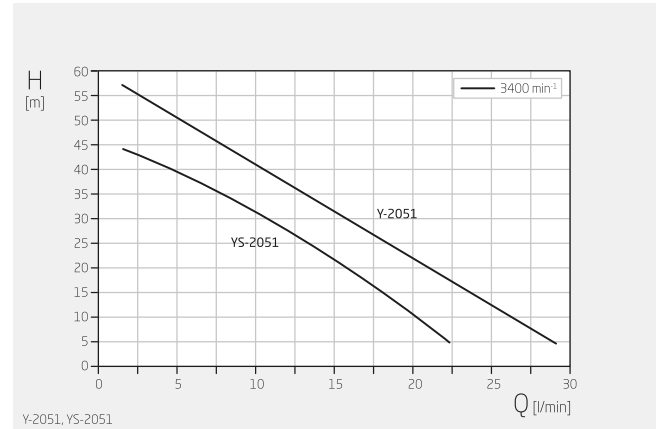
Technical data

International system of units, alternating current 60 Hz



H	140-158 mm
W	120 mm
L	241 mm

Dimensions may vary depending on the design.

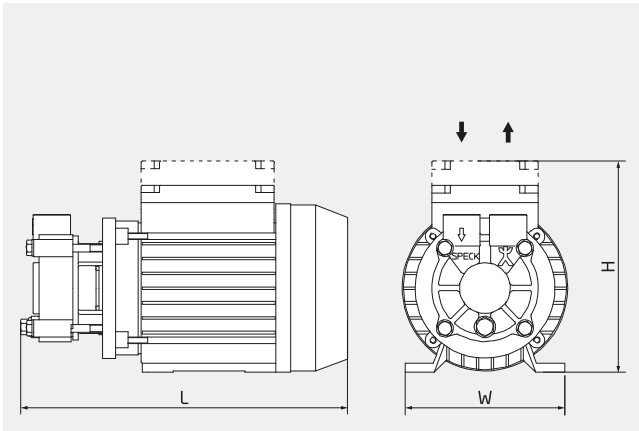


Specifications apply for water at 20°C and nominal speed.

Product type	Regenerative turbine pump
Shaft sealing	Mechanical seal
Pump design	Close-coupled pump
Typical media	Water max. +140 °C Oil max. +140 °C
Self-priming	No
Variable speed	Frequency-converter-compatible motor on request
Total head	5-57 m
Flow rate	2-28 l/min
Nominal pressure	PN 10
Motor current type	1~ 3~
Type of motor	Asynchronous motor
Nominal motor power	0.35 - 0.5 kW
Nominal motor speed	3400 rpm
Suction-side connection design	Thread: G, NPT
Suction-side connection size	Top/top: G ½" ax/top G 1"
Pressure-side connection design	Thread: G, NPT
Pressure-side connection size	Top/top: G ½" ax/top G ½"
Material designs	Stainless steel Brass PPS
Explosion protection	None II 3G, II 3D II 2G, II 2D

Technical data

Anglo-American system of measurement, alternating current 60 Hz

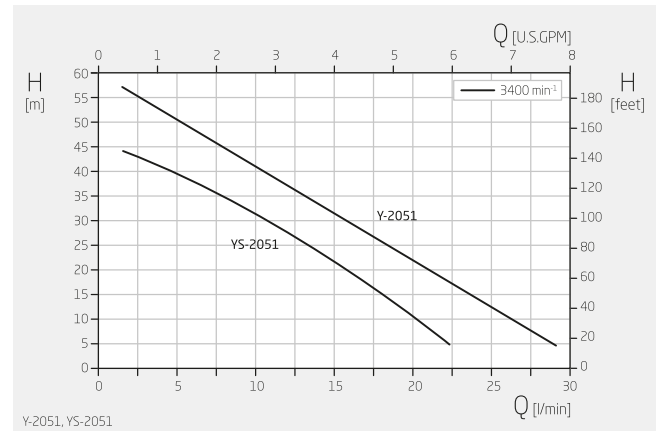


H 5,51–6,22 inch

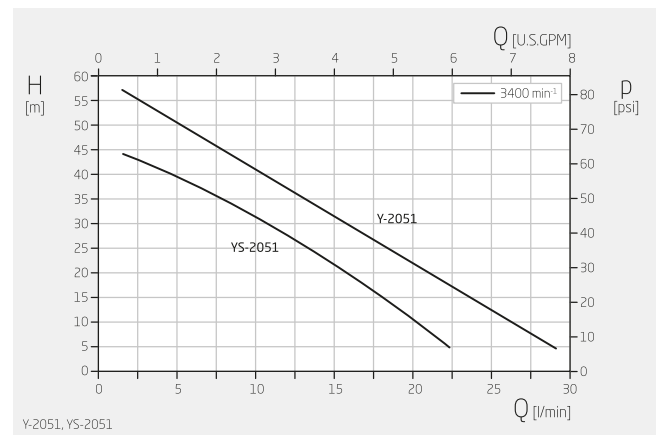
W 4,72 inch

L 9,49 inch

Dimensions may vary depending on the design.



Specifications apply for water at 68°F and nominal speed.



Specifications apply for water at 68°F and nominal speed.

Product type Regenerative turbine pump

Shaft sealing Mechanical seal

Pump design Close-coupled pump

Typical media Water max. +284 °F
Oil max. +284 °F

Self-priming No

Variable speed Frequency-converter-compatible motor on request

Total head 16–187 ft

Flow rate 0.5–7.4 USGPM

Nominal pressure PN 10

Motor current type 1~
3~

Type of motor Asynchronous motor

Nominal motor power 0.47 – 0.67 HP

Nominal motor speed 3400 rpm

Suction-side connection design Thread: G, NPT

Suction-side connection size Top/top: G ½"
ax/top G 1"

Pressure-side connection design Thread: G, NPT

Pressure-side connection size Top/top: G ½"
ax/top G ½"

Material designs Stainless steel
Brass
PPS

Explosion protection

None
II 3G, II 3D
II 2G, II 2D
