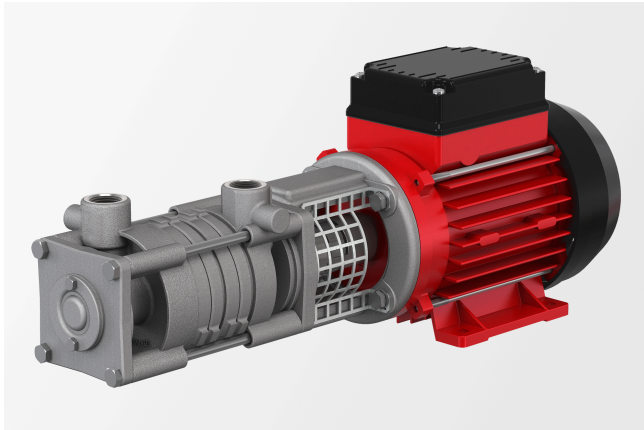


Product data sheet

Regenerative turbine pump

Multi-stage bracket pump with mechanical seal



Description

- » Regenerative turbine pump
- » Bracket pump
- » Mechanical seal
- » Multi-stage
- » Suitable for the delivery of gas shares
- » Steep characteristic curve

Markets and applications

Industrial cooling

- » Chillers/cooling machines

Food and beverage industry

- » Curing systems

Get in touch with us!

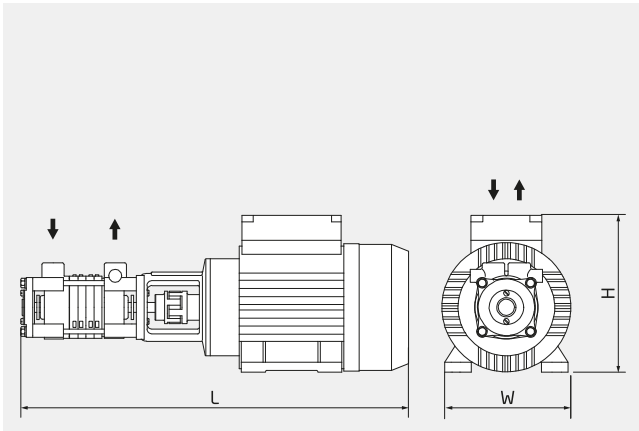
Speck Pumpen Walter Speck GmbH & Co. KG
Regensburger Ring 6-8
91154 Roth
Deutschland

Make a non-binding enquiry

info@speck.de

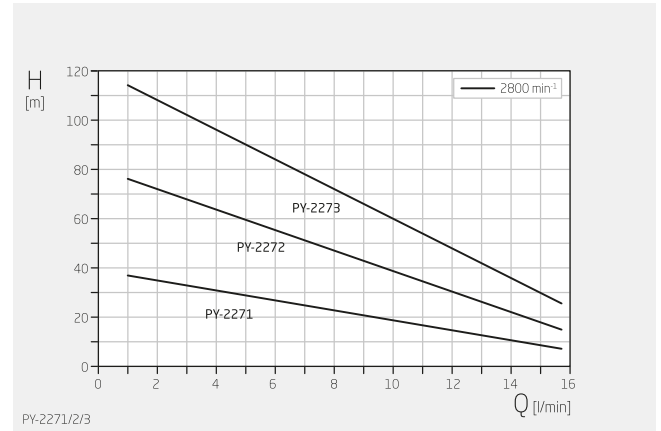
Technical data

International system of units, alternating current 50 Hz



H	184-231 mm
W	125-153 mm
L	374-465 mm

Dimensions may vary depending on the design.

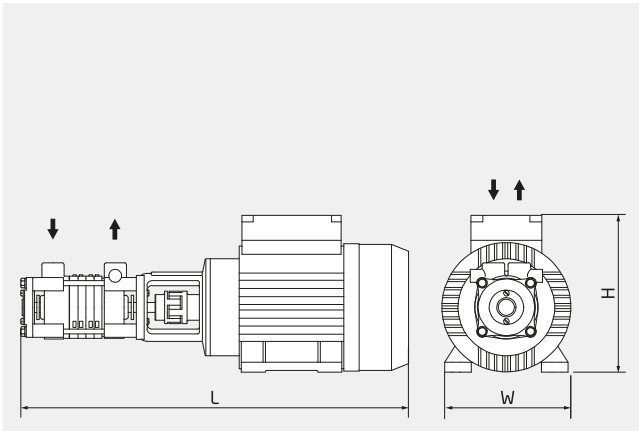


Specifications apply for water at 20°C and nominal speed.

Product type	Regenerative turbine pump
Shaft sealing	Mechanical seal
Pump design	Bracket pump
Typical media	Water max. +140 °C Oil max. +140 °C
Self-priming	Yes
Variable speed	Frequency-converter-compatible motor on request
Total head	7-115 m
Flow rate	1-16 l/min
Nominal pressure	PN 10
Motor current type	1~ 3~
Type of motor	Asynchronous motor
Nominal motor power	0.25 - 1.10 kW
Nominal motor speed	2800 rpm
Suction-side connection design	Threaded
Suction-side connection size	G ½"
Pressure-side connection design	Threaded
Pressure-side connection size	G ½"
Material designs	Stainless steel Brass
Explosion protection	None II 3G, II 3D II 2G, II 2D

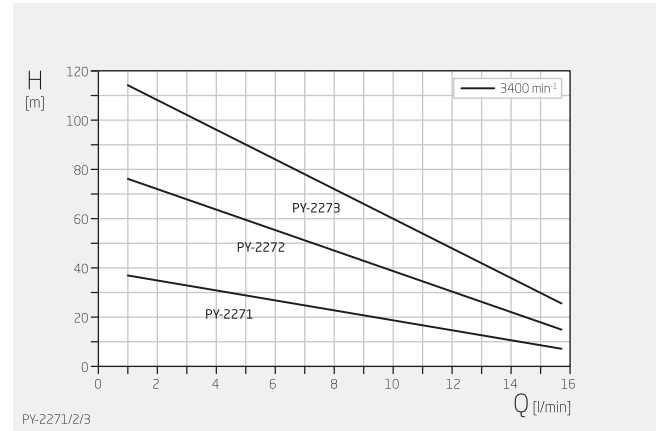
Technical data

International system of units, alternating current 60 Hz



H	184-231 mm
W	125-153 mm
L	374-465 mm

Dimensions may vary depending on the design.

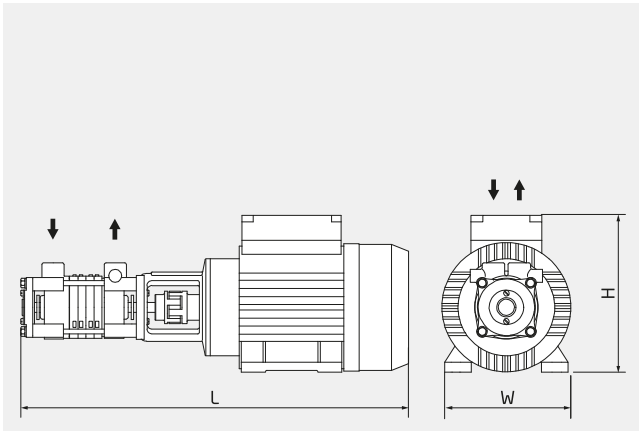


Specifications apply for water at 20°C and nominal speed.

Product type	Regenerative turbine pump
Shaft sealing	Mechanical seal
Pump design	Bracket pump
Typical media	Water max. +140 °C Oil max. +140 °C
Self-priming	Yes
Variable speed	Frequency-converter-compatible motor on request
Total head	7-115 m
Flow rate	1-16 l/min
Nominal pressure	PN 10
Motor current type	1~ 3~
Type of motor	Asynchronous motor
Nominal motor power	0.25 - 1.10 kW
Nominal motor speed	3400 rpm
Suction-side connection design	Threaded
Suction-side connection size	G ½"
Pressure-side connection design	Threaded
Pressure-side connection size	G ½"
Material designs	Stainless steel Brass
Explosion protection	None II 3G, II 3D II 2G, II 2D

Technical data

Anglo-American system of measurement, alternating current 60 Hz

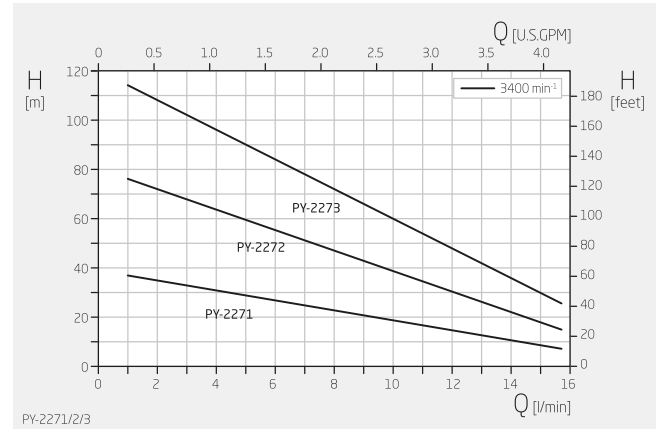


H 7,24-9,09 inch

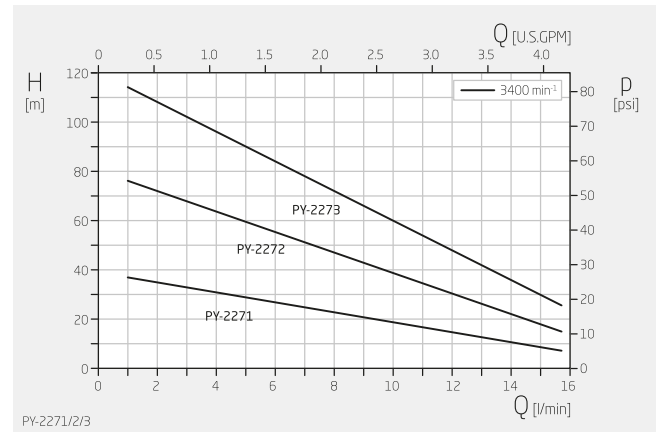
W 4,92-6,02 inch

L 14,72-18,31 inch

Dimensions may vary depending on the design.



Specifications apply for water at 68°F and nominal speed.



Specifications apply for water at 68°F and nominal speed.

Product type	Regenerative turbine pump
Shaft sealing	Mechanical seal
Pump design	Bracket pump
Typical media	Water max. +284 °F Oil max. +284 °F
Self-priming	Yes
Variable speed	Frequency-converter-compatible motor on request
Total head	23-377 ft
Flow rate	0.3-4.2 USGPM
Nominal pressure	PN 10
Motor current type	1~ 3~
Type of motor	Asynchronous motor
Nominal motor power	0.34 - 1.48 HP
Nominal motor speed	3400 rpm
Suction-side connection design	Threaded
Suction-side connection size	G ½"
Pressure-side connection design	Threaded
Pressure-side connection size	G ½"
Material designs	Stainless steel Brass
Explosion protection	None II 3G, II 3D II 2G, II 2D