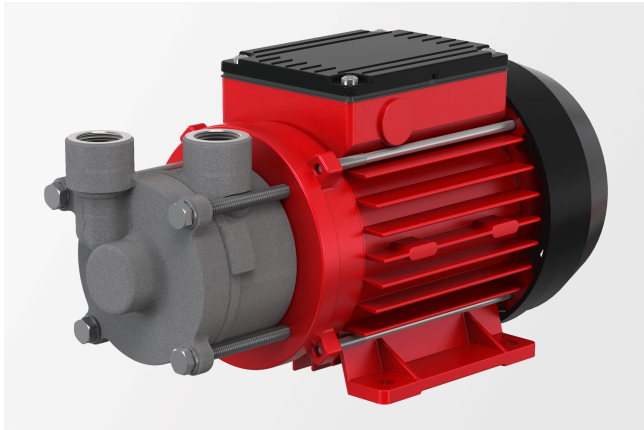


Product data sheet

Regenerative turbine pump

Close-coupled pump with mechanical seal



Description

- » Regenerative turbine pump
- » Close-coupled pump
- » Mechanical seal
- » Suitable for the delivery of gas shares
- » High pressures with a compact design
- » Steep characteristic curve

Markets and applications

Industrial cooling

- » Chillers/cooling machines

Food and beverage industry

- » Curing systems

Get in touch with us!

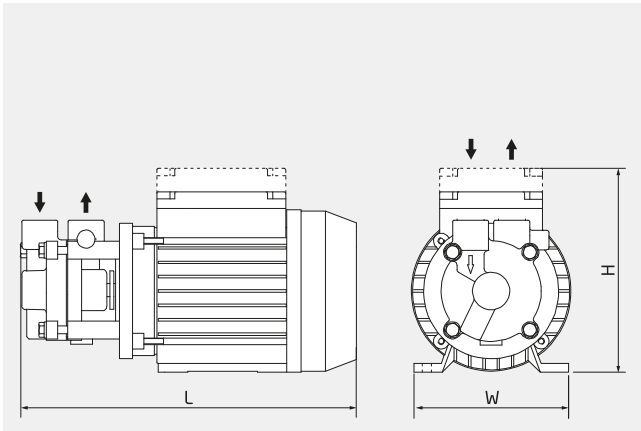
Speck Pumpen Walter Speck GmbH & Co. KG
Regensburger Ring 6-8
91154 Roth
Deutschland

Make a non-binding enquiry

info@speck.de

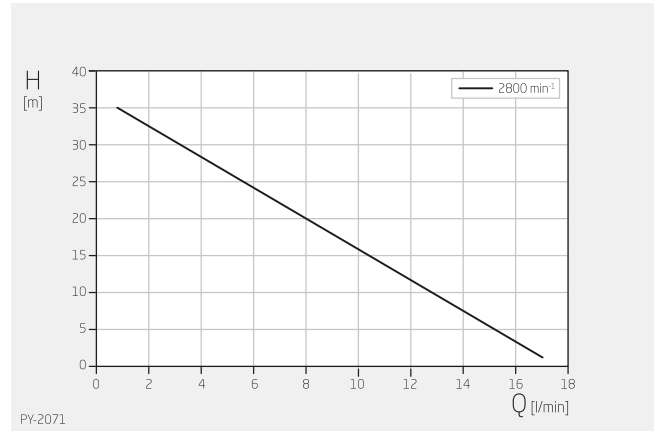
Technical data

International system of units, alternating current 50 Hz



H	140-158 mm
W	120 mm
L	261 mm

Dimensions may vary depending on the design.

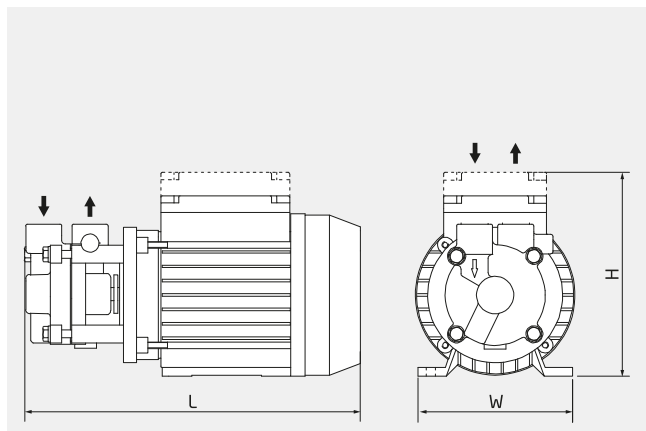


Specifications apply for water at 20°C and nominal speed.

Product type	Regenerative turbine pump
Shaft sealing	Mechanical seal
Pump design	Close-coupled pump
Typical media	Water max. +140 °C Oil max. +160 °C
Self-priming	Yes
Variable speed	Frequency-converter-compatible motor on request
Total head	2-35 m
Flow rate	1-17 l/min
Nominal pressure	PN 10
Motor current type	1~ 3~
Type of motor	Asynchronous motor
Nominal motor power	0.25 - 0.50 kW
Nominal motor speed	2800 rpm
Suction-side connection design	Threaded
Suction-side connection size	G 3/8" or G 1/2"
Pressure-side connection design	Threaded
Pressure-side connection size	G 3/8" or G 1/2"
Material designs	Stainless steel Brass PPS
Explosion protection	None

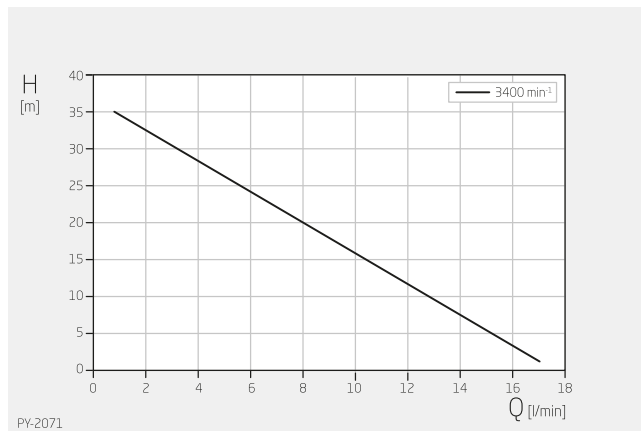
Technical data

International system of units, alternating current 60 Hz



H	140-158 mm
W	120 mm
L	261 mm

Dimensions may vary depending on the design.

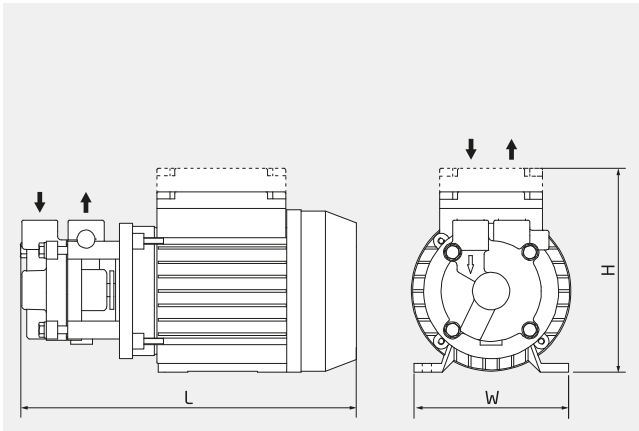


Specifications apply for water at 20°C and nominal speed.

Product type	Regenerative turbine pump
Shaft sealing	Mechanical seal
Pump design	Close-coupled pump
Typical media	Water max. +140 °C Oil max. +160 °C
Self-priming	Yes
Variable speed	Frequency-converter-compatible motor on request
Total head	2-35 m
Flow rate	1-17 l/min
Nominal pressure	PN 10
Motor current type	1~ 3~
Type of motor	Asynchronous motor
Nominal motor power	0.25 - 0.50 kW
Nominal motor speed	3400 rpm
Suction-side connection design	Threaded
Suction-side connection size	G 3/8" or G 1/2"
Pressure-side connection design	Threaded
Pressure-side connection size	G 3/8" or G 1/2"
Material designs	Stainless steel Brass PPS
Explosion protection	None

Technical data

Anglo-American system of measurement, alternating current 60 Hz

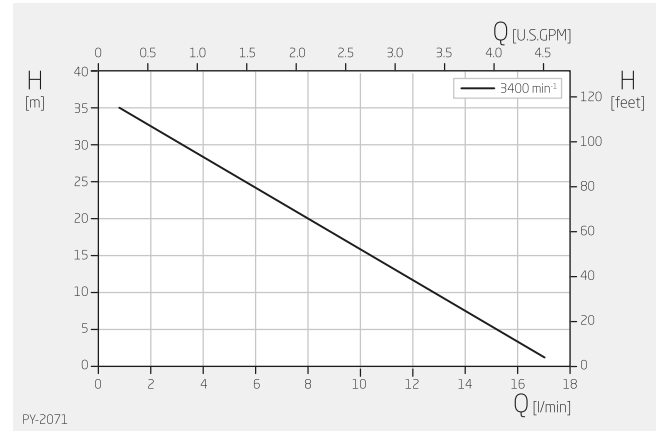


H 5,51-6,22 inch

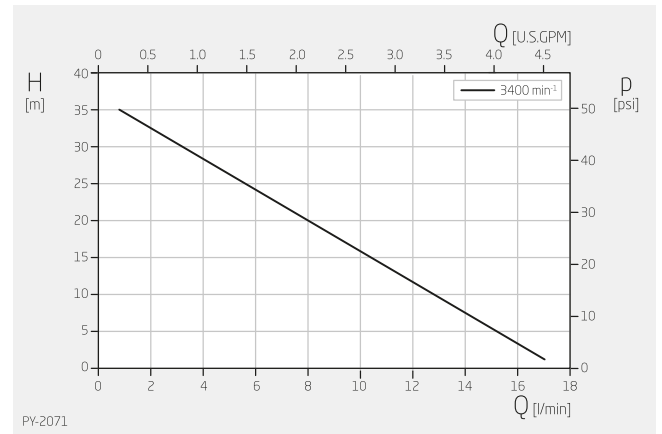
W 4,72 inch

L 10,28 inch

Dimensions may vary depending on the design.



Specifications apply for water at 68°F and nominal speed.



Specifications apply for water at 68°F and nominal speed.

Product type	Regenerative turbine pump
Shaft sealing	Mechanical seal
Pump design	Close-coupled pump
Typical media	Water max. +284 °F Oil max. +320 °F
Self-priming	Yes
Variable speed	Frequency-converter-compatible motor on request
Total head	7-115 ft
Flow rate	0.3-4.5 USGPM
Nominal pressure	PN 10
Motor current type	1~ 3~
Type of motor	Asynchronous motor
Nominal motor power	0.34 - 0.67 HP
Nominal motor speed	3400 rpm
Suction-side connection design	Threaded
Suction-side connection size	G 3/8" or G 1/2"
Pressure-side connection design	Threaded
Pressure-side connection size	G 3/8" or G 1/2"
Material designs	Stainless steel Brass PPS
Explosion protection	None