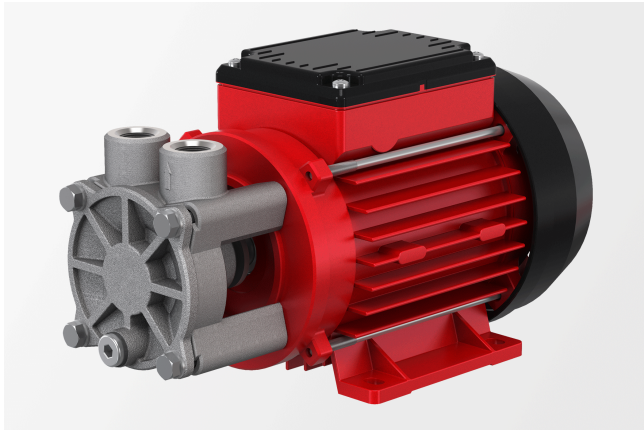


Product data sheet

Regenerative turbine pump

Close-coupled pump with mechanical seal



Description

- » Regenerative turbine pump
- » Close-coupled pump
- » Mechanical seal
- » Suitable for the delivery of gas shares
- » High pressures with a compact design
- » Steep characteristic curve

Markets and applications

Industrial cooling

- » Chillers/cooling machines
- » Cooling appliances
- » Welding appliances
- » Plasma cutters
- » Industrial lasers

Temperature control

- » Laboratory tempering devices
- » Hot-water tempering devices
- » Oil tempering devices
- » Roller tempering
- » Tool tempering for plastic injection moulding

Get in touch with us!

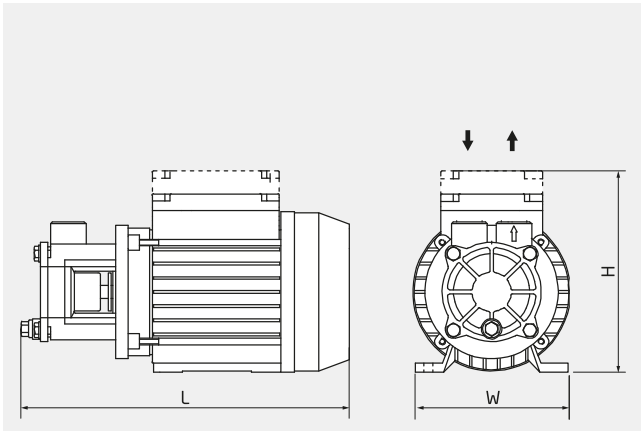
Speck Pumpen Walter Speck GmbH & Co. KG
Regensburger Ring 6-8
91154 Roth
Deutschland

Make a non-binding enquiry

info@speck.de

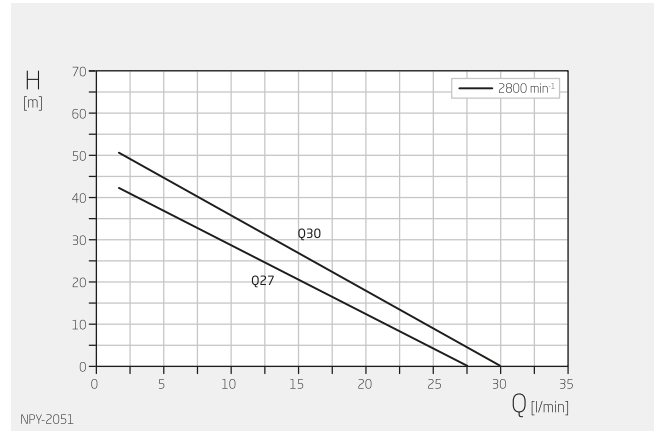
Technical data

International system of units, alternating current 50 Hz



H	140-158 mm
W	120 mm
L	250 mm

Dimensions may vary depending on the design.

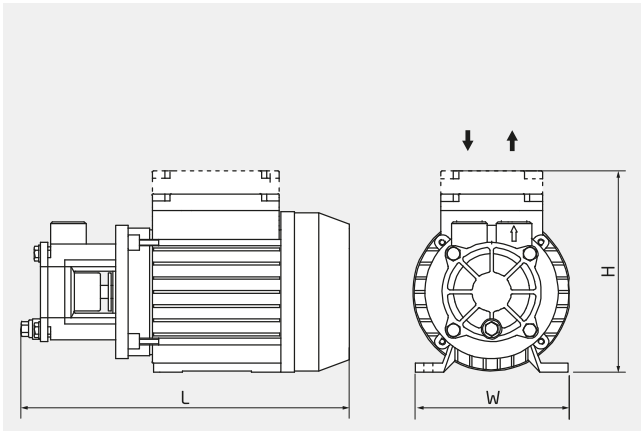


Specifications apply for water at 20°C and nominal speed.

Product type	Regenerative turbine pump
Shaft sealing	Mechanical seal
Pump design	Close-coupled pump
Typical media	Water max. +140 °C Oil max. +160 °C
Self-priming	No
Variable speed	Frequency-converter-compatible motor on request
Total head	3-51 m
Flow rate	2-30 l/min
Nominal pressure	PN 10
Motor current type	1~ 3~
Type of motor	Asynchronous motor
Nominal motor power	0.25 - 0.50 kW
Nominal motor speed	2800 rpm
Suction-side connection design	Thread: G, NPT, Rc/PT
Suction-side connection size	Top/top: G 3/8" or G 1/2" ax/top G 1"
Pressure-side connection design	Thread: G, NPT, Rc/PT
Pressure-side connection size	Top/top: G 3/8" or G 1/2" ax/top G 3/8" or G 1/2"
Material designs	Stainless steel Brass PPS
Explosion protection	None II 3G, II 3D II 2G, II 2D

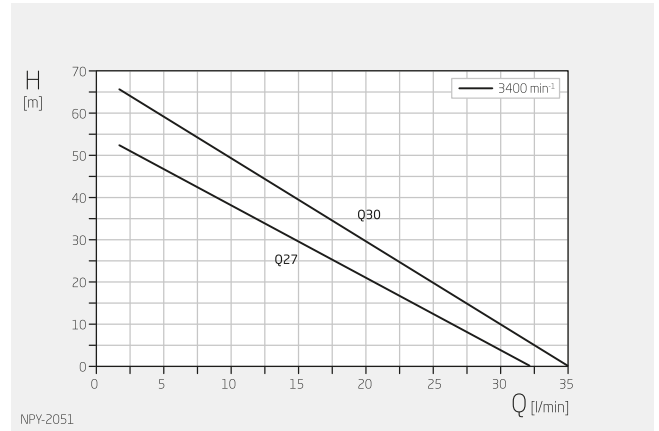
Technical data

International system of units, alternating current 60 Hz



H	140-158 mm
W	120 mm
L	250 mm

Dimensions may vary depending on the design.

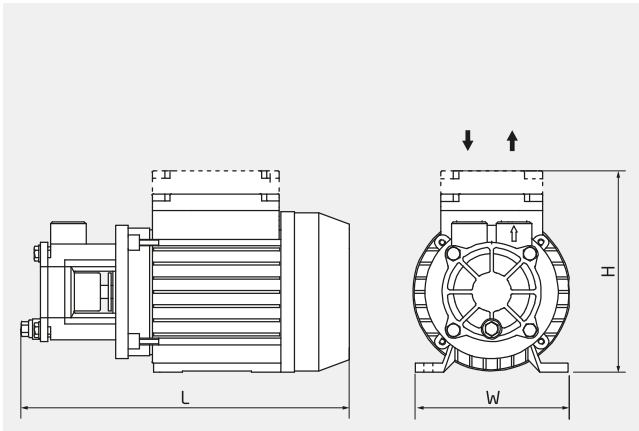


Specifications apply for water at 20°C and nominal speed.

Product type	Regenerative turbine pump
Shaft sealing	Mechanical seal
Pump design	Close-coupled pump
Typical media	Water max. +140 °C Oil max. +160 °C
Self-priming	No
Variable speed	Frequency-converter-compatible motor on request
Total head	3-66 m
Flow rate	2-35 l/min
Nominal pressure	PN 10
Motor current type	1~ 3~
Type of motor	Asynchronous motor
Nominal motor power	0.25 - 0.50 kW
Nominal motor speed	3400 rpm
Suction-side connection design	Thread: G, NPT, Rc/PT
Suction-side connection size	Top/top: G 3/8" or G 1/2" ax/top G 1"
Pressure-side connection design	Thread: G, NPT, Rc/PT
Pressure-side connection size	Top/top: G 3/8" or G 1/2" ax/top G 3/8" or G 1/2"
Material designs	Stainless steel Brass PPS
Explosion protection	None II 3G, II 3D II 2G, II 2D

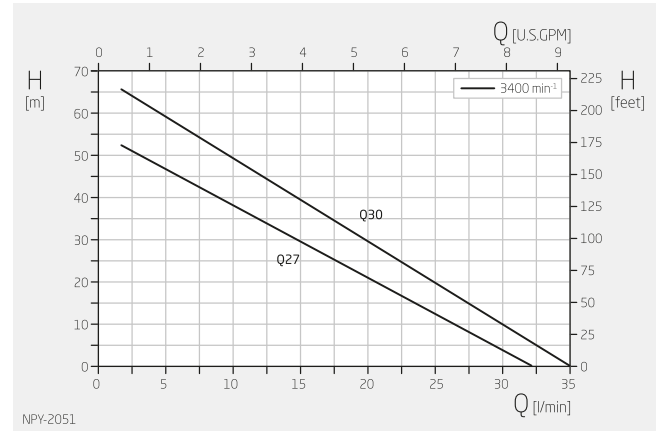
Technical data

Anglo-American system of measurement, alternating current 60 Hz

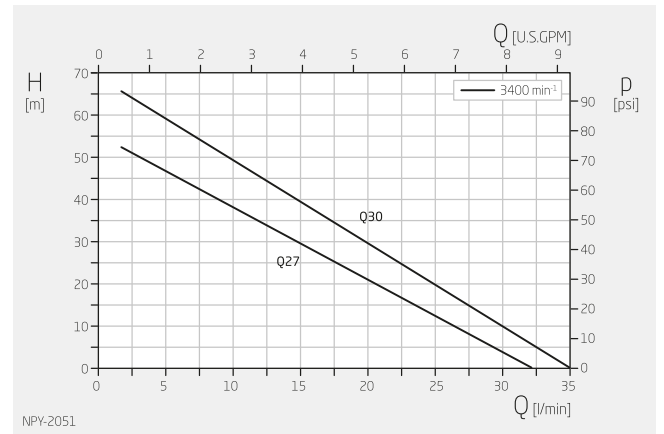


H 5,51–6,22 inch
 W 4,72 inch
 L 9,84 inch

Dimensions may vary depending on the design.



Specifications apply for water at 68°F and nominal speed.



Specifications apply for water at 68°F and nominal speed.

Product type	Regenerative turbine pump
Shaft sealing	Mechanical seal
Pump design	Close-coupled pump
Typical media	Water max. +284 °F Oil max. +320 °F
Self-priming	No
Variable speed	Frequency-converter-compatible motor on request
Total head	10–217 ft
Flow rate	0.5–9.2 USGPM
Nominal pressure	PN 10
Motor current type	1~ 3~
Type of motor	Asynchronous motor
Nominal motor power	0.34 – 0.67 HP
Nominal motor speed	3400 rpm
Suction-side connection design	Thread: G, NPT, Rc/PT
Suction-side connection size	Top/top: G 3/8" or G 1/2" ax/top G 1"
Pressure-side connection design	Thread: G, NPT, Rc/PT
Pressure-side connection size	Top/top: G 3/8" or G 1/2" ax/top G 3/8" or G 1/2"
Material designs	Stainless steel Brass PPS

Explosion protection

None
II 3G, II 3D
II 2G, II 2D
