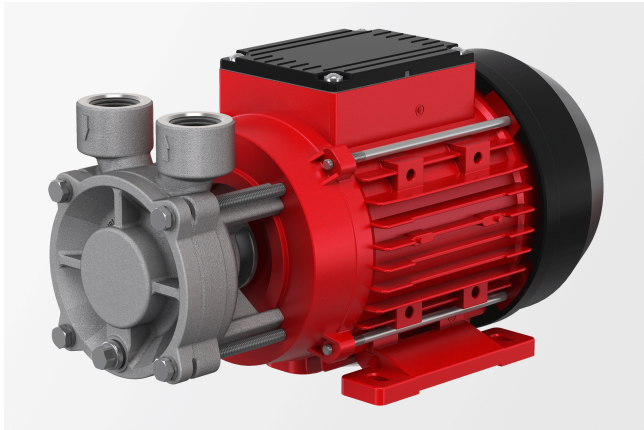


## Product data sheet

### Regenerative turbine pump

Close-coupled pump with mechanical seal



## Description

- » Regenerative turbine pump
- » Close-coupled pump
- » Mechanical seal
- » Suitable for the delivery of gas shares
- » High pressures with a compact design
- » Steep characteristic curve

## Markets and applications

### Energy technology

- » Delivery and circulation in closed circuits

### Industrial cooling

- » Chillers/cooling machines
- » Cooling appliances

### Plastics processing

- » Tool tempering for injection moulding

## Get in touch with us!

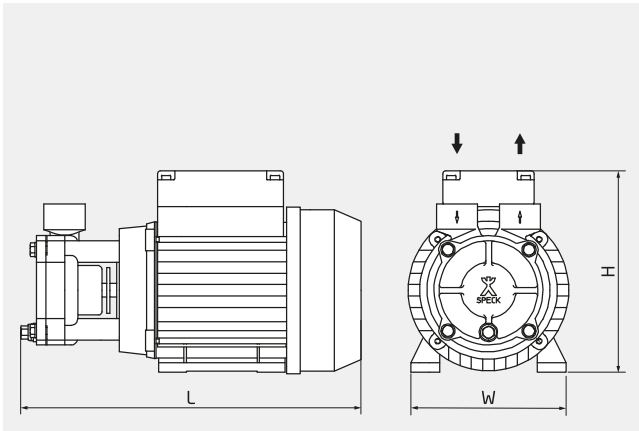
Speck Pumpen Walter Speck GmbH & Co. KG  
Regensburger Ring 6-8  
91154 Roth  
Deutschland

### Make a non-binding enquiry

[info@speck.de](mailto:info@speck.de)

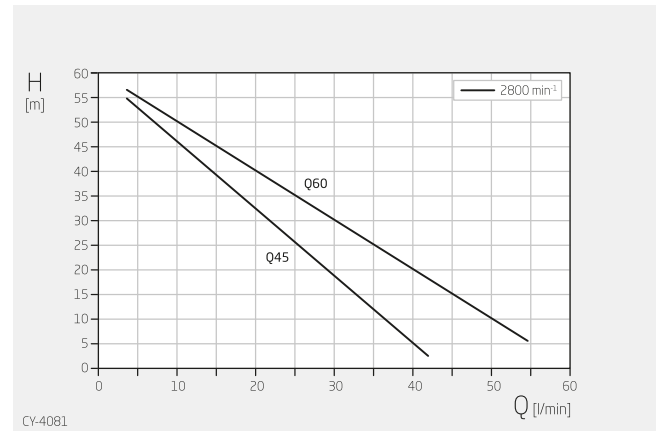
## Technical data

International system of units, alternating current 50 Hz



H	175 mm
W	135 mm
L	288 mm

Dimensions may vary depending on the design.

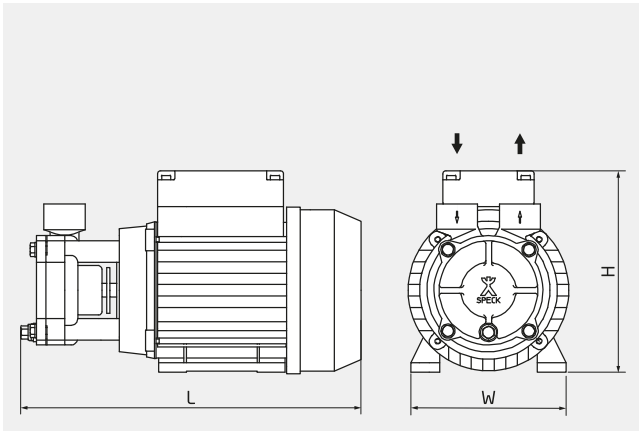


Specifications apply for water at 20°C and nominal speed.

Product type	Regenerative turbine pump
Shaft sealing	Mechanical seal
Pump design	Close-coupled pump
Typical media	Water max. +140 °C Oil max. +160 °C
Self-priming	No
Variable speed	Frequency-converter-compatible motor on request
Total head	3-57 m
Flow rate	3-55 l/min
Nominal pressure	PN 12
Motor current type	3~
Type of motor	Asynchronous motor
Nominal motor power	0.55 – 1.00 kW
Nominal motor speed	2800 rpm
Suction-side connection design	Thread: G, NPT, Rc/PT
Suction-side connection size	Top/top: G 3/4" ax/top G 1"
Pressure-side connection design	Thread: G, NPT, Rc/PT
Pressure-side connection size	Top/top: G 3/4" ax/top G 3/4"
Material designs	Stainless steel Brass
Explosion protection	None II 3G, II 3D II 2G, II 2D

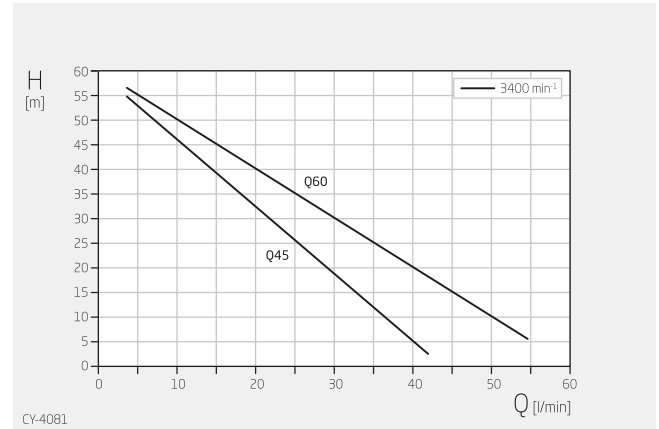
## Technical data

International system of units, alternating current 60 Hz



H	175 mm
W	135 mm
L	288 mm

Dimensions may vary depending on the design.

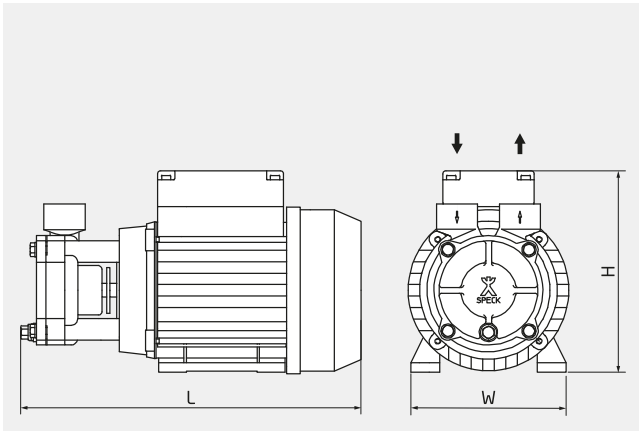


Specifications apply for water at 20°C and nominal speed.

Product type	Regenerative turbine pump
Shaft sealing	Mechanical seal
Pump design	Close-coupled pump
Typical media	Water max. +140 °C Oil max. +160 °C
Self-priming	No
Variable speed	Frequency-converter-compatible motor on request
Total head	3-57 m
Flow rate	3-55 l/min
Nominal pressure	PN 12
Motor current type	3~
Type of motor	Asynchronous motor
Nominal motor power	0.55 – 1.00 kW
Nominal motor speed	3400 rpm
Suction-side connection design	Thread: G, NPT, Rc/PT
Suction-side connection size	Top/top: G ¾" ax/top G 1"
Pressure-side connection design	Thread: G, NPT, Rc/PT
Pressure-side connection size	Top/top: G ¾" ax/top G ¾"
Material designs	Stainless steel Brass
Explosion protection	None II 3G, II 3D II 2G, II 2D

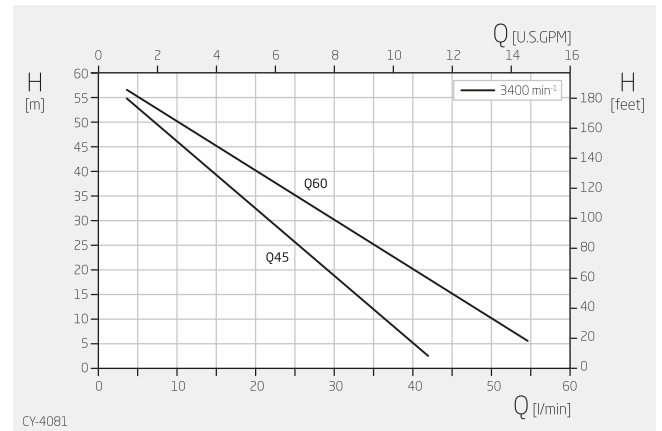
## Technical data

Anglo-American system of measurement, alternating current 60 Hz

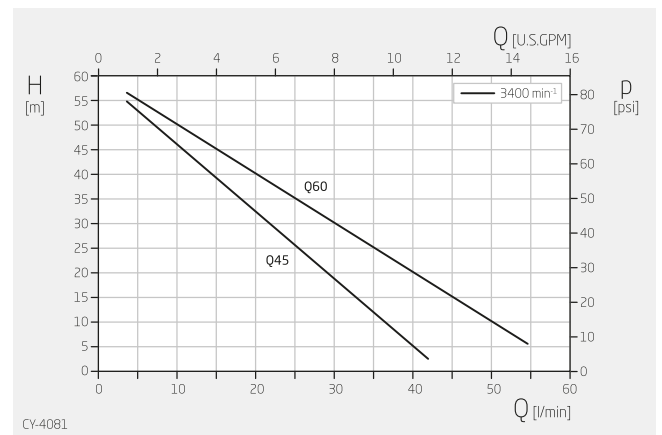


H 6,89 inch  
W 5,31 inch  
L 11,34 inch

Dimensions may vary depending on the design.



Specifications apply for water at 68°F and nominal speed.



Specifications apply for water at 68°F and nominal speed.

Product type	Regenerative turbine pump
Shaft sealing	Mechanical seal
Pump design	Close-coupled pump
Typical media	Water max. +284 °F Oil max. +320 °F
Self-priming	No
Variable speed	Frequency-converter-compatible motor on request
Total head	10-187 ft
Flow rate	0.8-14.5 USGPM
Nominal pressure	PN 12
Motor current type	3~
Type of motor	Asynchronous motor
Nominal motor power	0.74 - 1.34 HP
Nominal motor speed	3400 rpm
Suction-side connection design	Thread: G, NPT, Rc/PT
Suction-side connection size	Top/top: G ¾" ax/top G 1"
Pressure-side connection design	Thread: G, NPT, Rc/PT
Pressure-side connection size	Top/top: G ¾" ax/top G ¾"
Material designs	Stainless steel Brass
Explosion protection	None II 3G, II 3D II 2G, II 2D