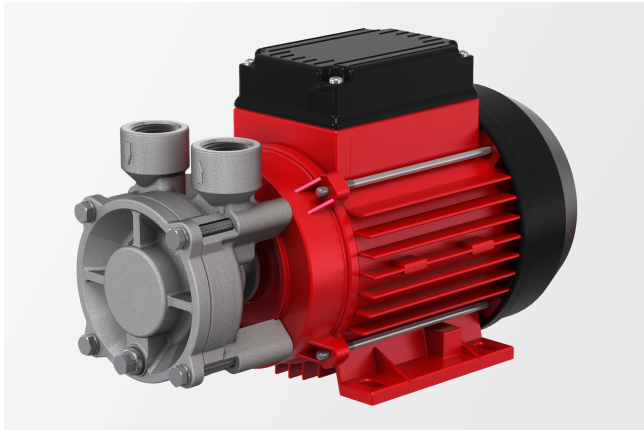


Product data sheet

Regenerative turbine pump

Close-coupled pump with mechanical seal



Description

- » Regenerative turbine pump
- » Close-coupled pump
- » Mechanical seal
- » Suitable for the delivery of gas shares
- » High pressures with a compact design
- » Steep characteristic curve

Markets and applications

Energy technology

- » Delivery and circulation in closed circuits

Industrial cooling

- » Chillers/cooling machines
- » Cooling appliances

Plastics processing

- » Tool tempering for injection moulding

Get in touch with us!

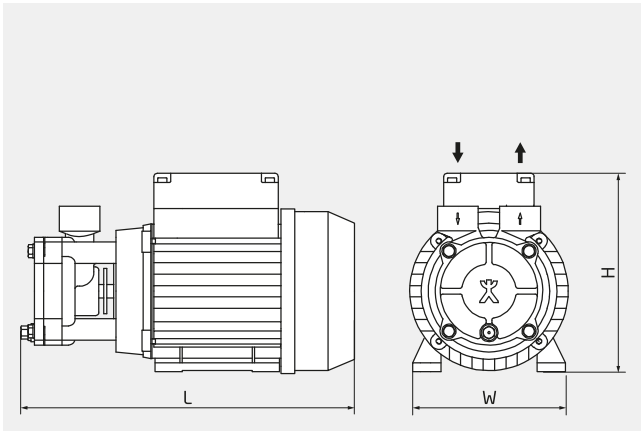
Speck Pumpen Walter Speck GmbH & Co. KG
Regensburger Ring 6-8
91154 Roth
Deutschland

Make a non-binding enquiry

info@speck.de

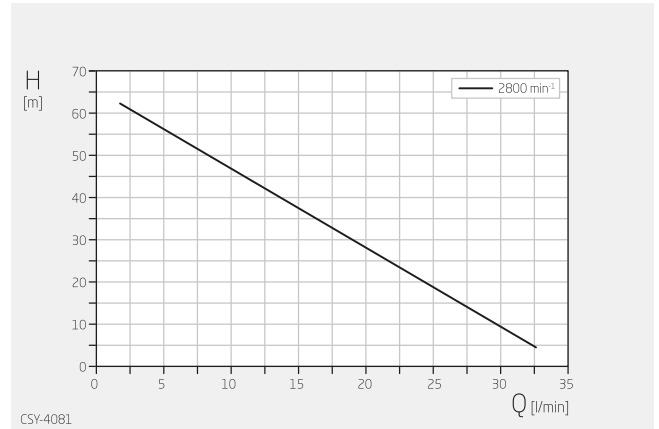
Technical data

International system of units, alternating current 50 Hz



H 175 mm
W 135 mm
L 287 mm

Dimensions may vary depending on the design.

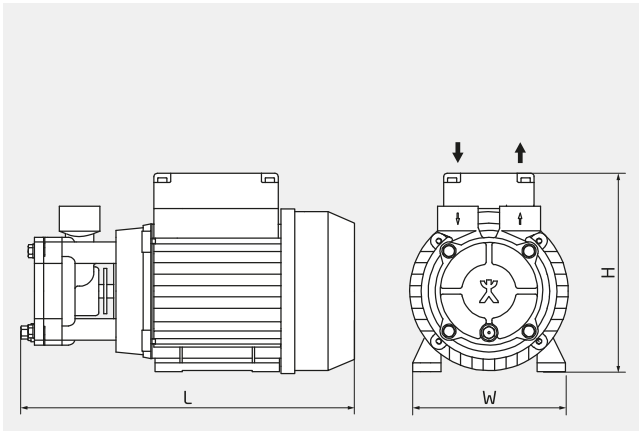


Specifications apply for water at 20°C and nominal speed.

Product type	Regenerative turbine pump
Shaft sealing	Mechanical seal
Pump design	Close-coupled pump
Typical media	Water max. +140 °C Oil max. +160 °C
Self-priming	Yes
Variable speed	Frequency-converter-compatible motor on request
Total head	5–63 m
Flow rate	2–33 l/min
Nominal pressure	PN 10
Motor current type	3~
Type of motor	Asynchronous motor
Nominal motor power	0.75 – 1.00 kW
Nominal motor speed	2800 rpm
Suction-side connection design	Threaded
Suction-side connection size	G ¾"
Pressure-side connection design	Threaded
Pressure-side connection size	G ¾"
Material designs	Stainless steel Bronze
Explosion protection	None II 3G, II 3D II 2G, II 2D

Technical data

International system of units, alternating current 60 Hz



H 175 mm
W 135 mm
L 287 mm

Dimensions may vary depending on the design.

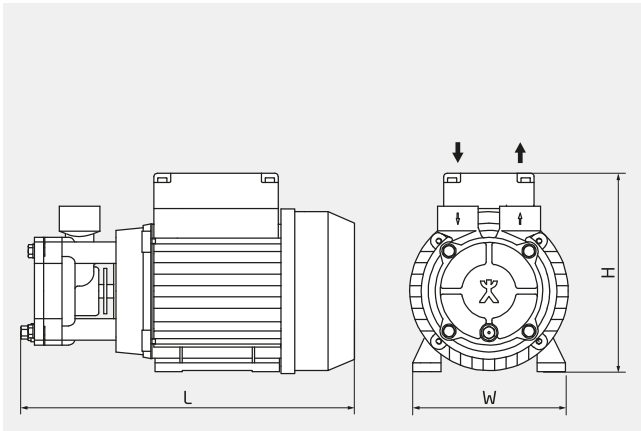


Specifications apply for water at 20°C and nominal speed.

Product type	Regenerative turbine pump
Shaft sealing	Mechanical seal
Pump design	Close-coupled pump
Typical media	Water max. +140 °C Oil max. +160 °C
Self-priming	Yes
Variable speed	Frequency-converter-compatible motor on request
Total head	5–63 m
Flow rate	2–33 l/min
Nominal pressure	PN 10
Motor current type	3~
Type of motor	Asynchronous motor
Nominal motor power	0.75 – 1.00 kW
Nominal motor speed	3400 rpm
Suction-side connection design	Threaded
Suction-side connection size	G ¾"
Pressure-side connection design	Threaded
Pressure-side connection size	G ¾"
Material designs	Stainless steel Bronze
Explosion protection	None II 3G, II 3D II 2G, II 2D

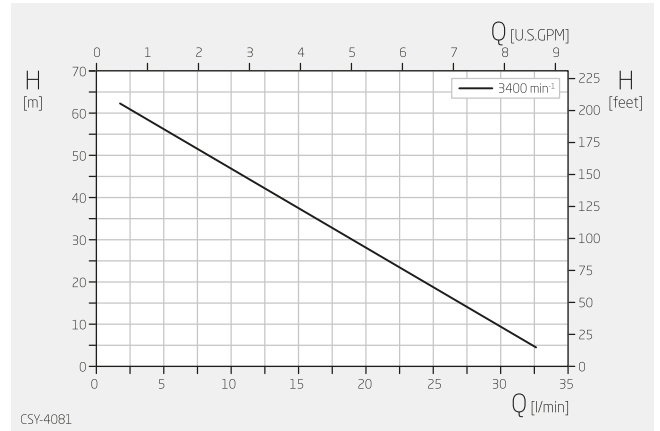
Technical data

Anglo-American system of measurement, alternating current 60 Hz

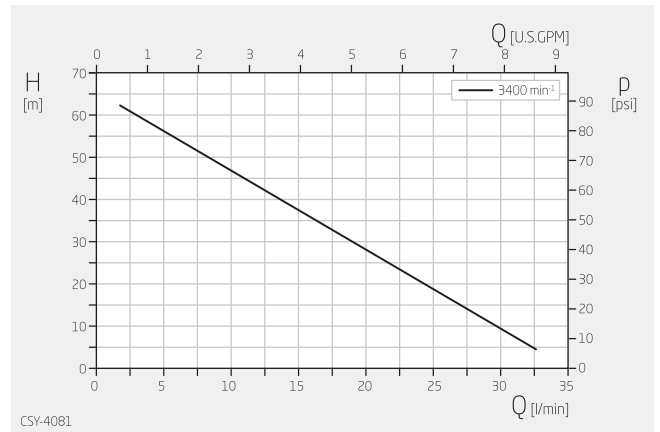


H 6,89 inch
W 5,31 inch
L 11,30 inch

Dimensions may vary depending on the design.



Specifications apply for water at 68°F and nominal speed.



Specifications apply for water at 68°F and nominal speed.

Product type	Regenerative turbine pump
Shaft sealing	Mechanical seal
Pump design	Close-coupled pump
Typical media	Water max. +284 °F Oil max. +320 °F
Self-priming	Yes
Variable speed	Frequency-converter-compatible motor on request
Total head	16-207 ft
Flow rate	0.5-8.7 USGPM
Nominal pressure	PN 10
Motor current type	3~
Type of motor	Asynchronous motor
Nominal motor power	1.00 - 1.34 HP
Nominal motor speed	3400 rpm
Suction-side connection design	Threaded
Suction-side connection size	G ¾"
Pressure-side connection design	Threaded
Pressure-side connection size	G ¾"
Material designs	Stainless steel Bronze
Explosion protection	None II 3G, II 3D II 2G, II 2D