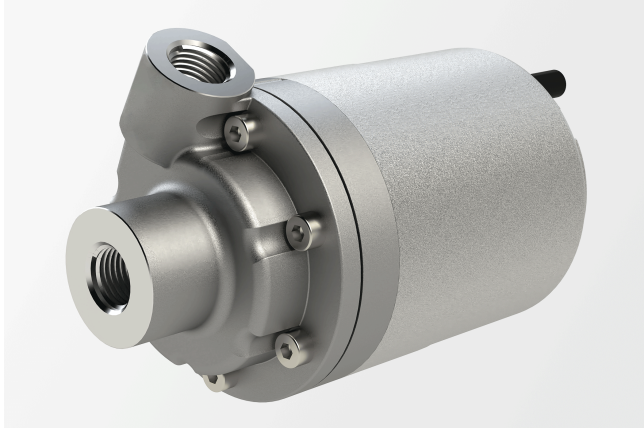


Product data sheet

Centrifugal pump

Canned motor pump with speed control



Description

- » Centrifugal pump
- » Canned motor pump
- » Adjustable speed
- » Compact

Markets and applications

Industrial cooling

- » Chillers/cooling machines
- » Cooling appliances
- » Welding appliances

Medical technology

- » Computer tomographs
- » C-arms (X-ray machines)

Temperature control

- » Laboratory tempering devices

Get in touch with us!

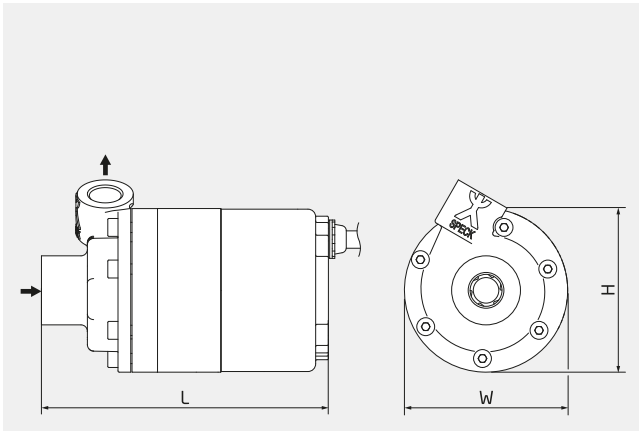
Speck Pumpen Systemtechnik GmbH
Regensburger Ring 6-8
91154 Roth
Deutschland

Make a non-binding enquiry

info@speck.de

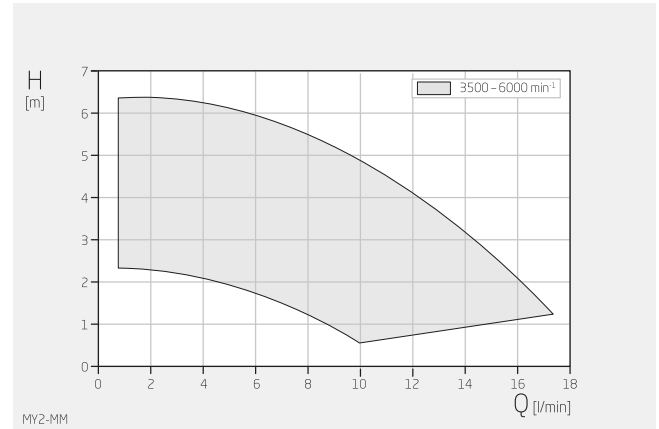
Technical data

International system of units, direct current



H	64 mm
W	64 mm
L	120 mm

Dimensions may vary depending on the design.

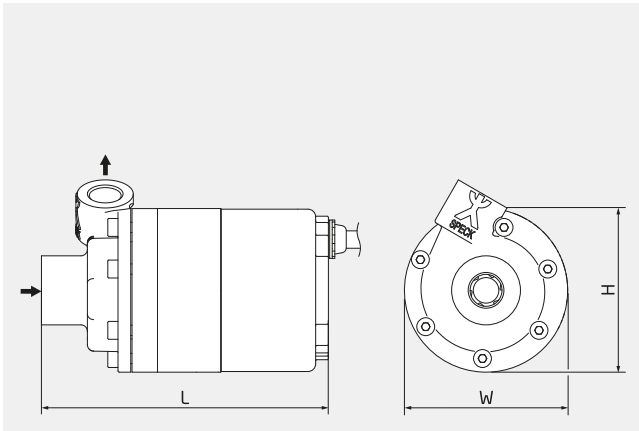


Specifications apply for water at 20°C
Within the characteristic diagrams, each operating point is possible through parametrisation of the drive.

Product type	Centrifugal pump
Shaft sealing	None
Pump design	Canned motor pump
Typical media	Water min. -30 °C, max. +80 °C Water/glycol mixture max. +80 °C Oil max. +80 °C
Self-priming	No
Variable speed	Yes
Total head	1-6 m
Flow rate	1-17 l/min
Nominal pressure	PN 20
Motor current type	Direct current
Type of motor	DC motor BLDC
Nominal motor voltage	24 V
Nominal motor power	30 W
Nominal motor speed	1000 - 6000 rpm
Suction-side connection design	Threaded
Suction-side connection size	M 14 x 1.5
Pressure-side connection design	Threaded
Pressure-side connection size	M 14 x 1.5
Material designs	Stainless steel, PPS
Explosion protection	None

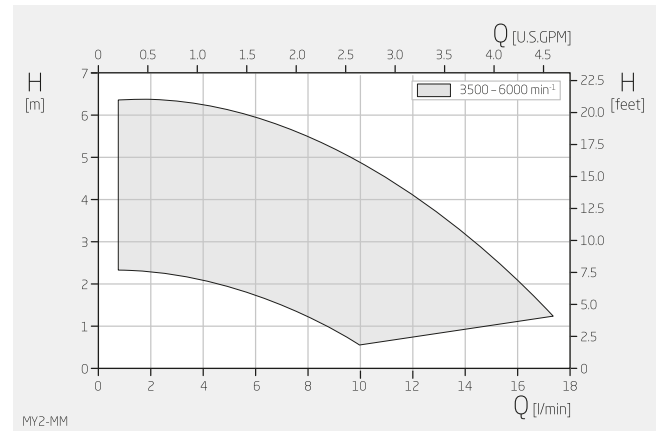
Technical data

Anglo-American system of measurement, direct current

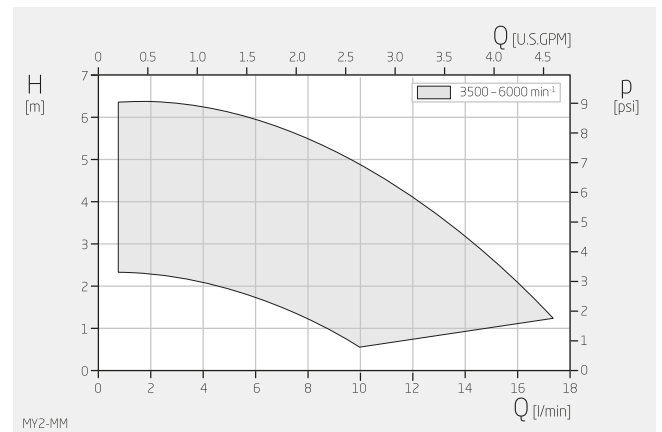


H 2,52 inch
W 2,52 inch
L 4,72 inch

Dimensions may vary depending on the design.



Specifications apply for water at 68°F
Within the characteristic diagrams, each operating point is possible through corresponding parametrisation of the drive.



Specifications apply for water at 68°F
Within the characteristic diagrams, each operating point is possible through corresponding parametrisation of the drive.

Product type	Centrifugal pump
Shaft sealing	None
Pump design	Canned motor pump
Typical media	Water min. -22 °F, max. +348,8 °F Water/glycol mixture max. +176 °F Oil max. +176 °F
Self-priming	No
Variable speed	Yes
Total head	2-21 ft
Flow rate	0.1-4.5 USGPM
Nominal pressure	PN 20
Motor current type	Direct current
Type of motor	DC motor BLDC
Nominal motor voltage	24 V
Nominal motor power	0.04 HP
Nominal motor speed	1000 - 6000 rpm
Suction-side connection design	Threaded
Suction-side connection size	M 14 x 1.5
Pressure-side connection design	Threaded
Pressure-side connection size	M 14 x 1.5
Material designs	Stainless steel, PPS

Explosion protection

None