

Product data sheet

Centrifugal pump

Canned motor pump with speed control



Description

- » Centrifugal pump
- » Canned motor pump
- » Adjustable speed
- » Compact

Markets and applications

Industrial cooling

- » Semiconductor manufacturing
- » Direct chip cooling in data centres

Medical technology

- » Computer tomographs
- » C-arms (X-ray machines)

Get in touch with us!

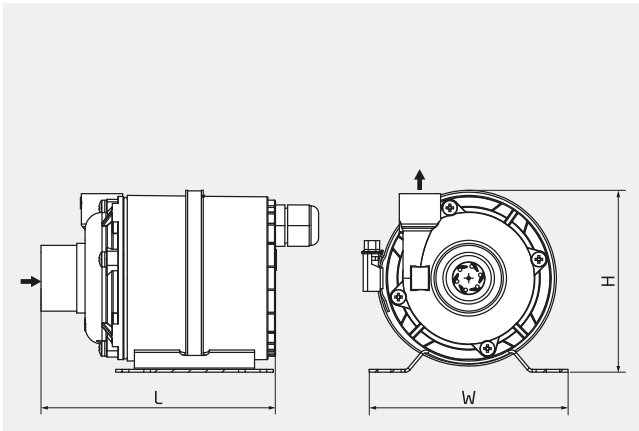
Speck Pumpen Systemtechnik GmbH
Regensburger Ring 6-8
91154 Roth
Deutschland

Make a non-binding enquiry

info@speck.de

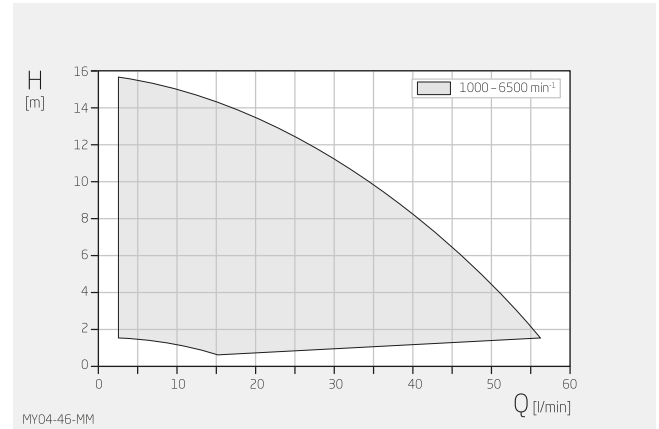
Technical data

International system of units, direct current



H	94 mm
W	109 mm
L	125 mm

Dimensions may vary depending on the design.

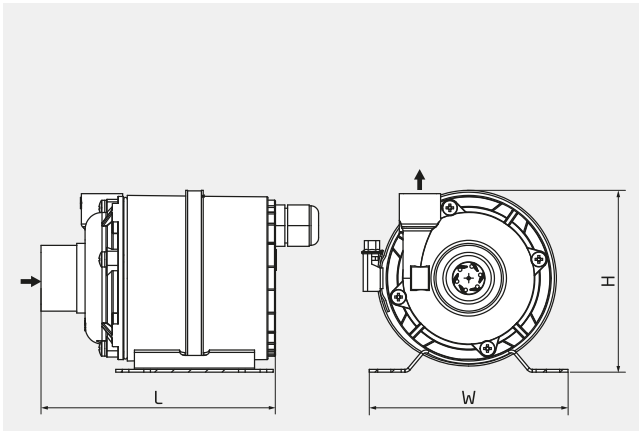


Specifications apply for water at 20°C
Within the characteristic diagrams, each operating point is possible through parametrisation of the drive.

Product type	Centrifugal pump
Shaft sealing	None
Pump design	Canned motor pump
Typical media	Water max. +80 °C Water/glycol mixture min.-30 °C, max. +80 °C Oil max. +80 °C
Self-priming	No
Variable speed	Yes
Total head	1-16 m
Flow rate	2-56 l/min
Nominal pressure	PN 10
Motor current type	Direct current
Type of motor	DC motor BLDC
Nominal motor voltage	24 V, 48 V on request
Nominal motor power	150 W
Nominal motor speed	1000 - 6500 rpm
Suction-side connection design	Threaded
Suction-side connection size	G 3/4"
Pressure-side connection design	Threaded
Pressure-side connection size	G 3/8"
Material designs	Stainless steel, PPS
Explosion protection	None

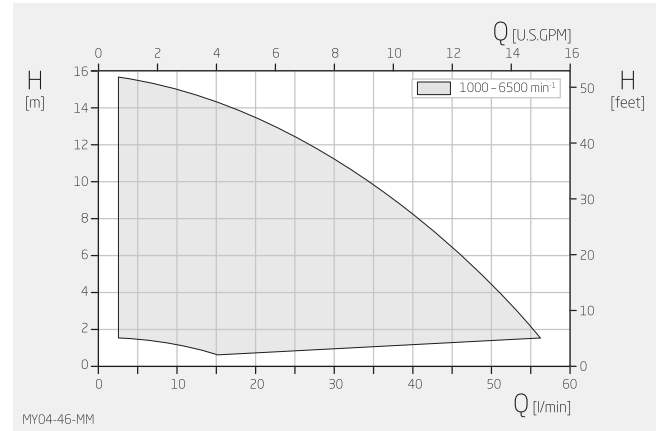
Technical data

Anglo-American system of measurement, direct current

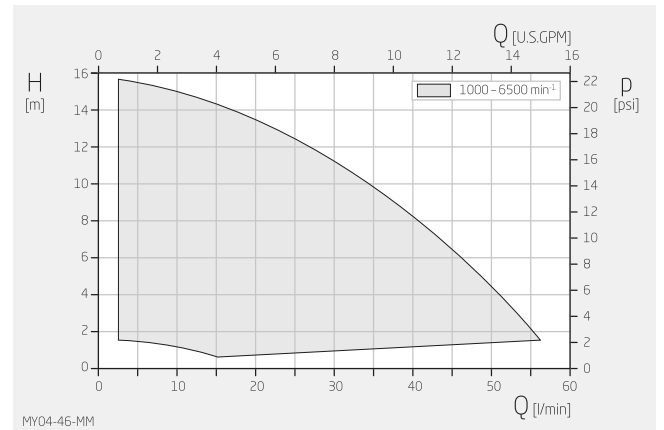


H 3,70 inch
W 4,29 inch
L 4,92 inch

Dimensions may vary depending on the design.



Specifications apply for water at 68°F
Within the characteristic diagrams, each operating point is possible through corresponding parametrisation of the drive.



Specifications apply for water at 68°F
Within the characteristic diagrams, each operating point is possible through corresponding parametrisation of the drive.

Product type	Centrifugal pump
Shaft sealing	None
Pump design	Canned motor pump
Typical media	Water max. +176 °F Water/glycol mixture min.-22 °F, max. +176 °F Oil max. +176 °F
Self-priming	No
Variable speed	Yes
Total head	3-51 ft
Flow rate	0.5-14.8 USGPM
Nominal pressure	PN 10
Motor current type	Direct current
Type of motor	DC motor BLDC
Nominal motor voltage	24 V, 48 V on request
Nominal motor power	0.20 HP
Nominal motor speed	1000 - 6500 rpm
Suction-side connection design	Threaded
Suction-side connection size	G 3/4"
Pressure-side connection design	Threaded
Pressure-side connection size	G 3/8"
Material designs	Stainless steel, PPS

Explosion protection

None