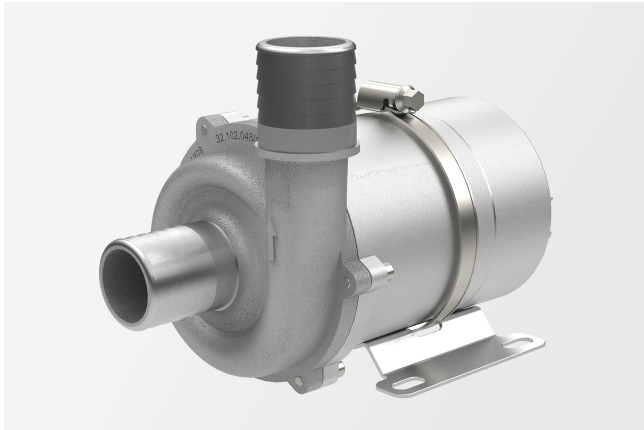


Product data sheet

Centrifugal pump

Canned motor pump with speed control



Description

- » Centrifugal pump
- » Canned motor pump
- » Adjustable speed
- » Compact

Markets and applications

Industrial cooling

- » Semiconductor manufacturing
- » Direct chip cooling in data centres

Temperature control

- » Semiconductor manufacturing

Get in touch with us!

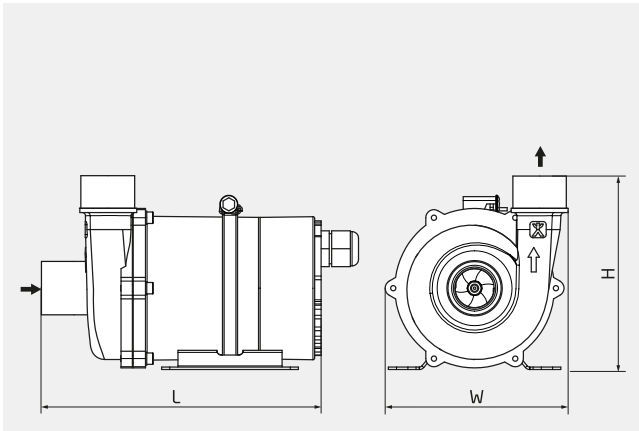
Speck Pumpen Systemtechnik GmbH
Regensburger Ring 6-8
91154 Roth
Deutschland

Make a non-binding enquiry

info@speck.de

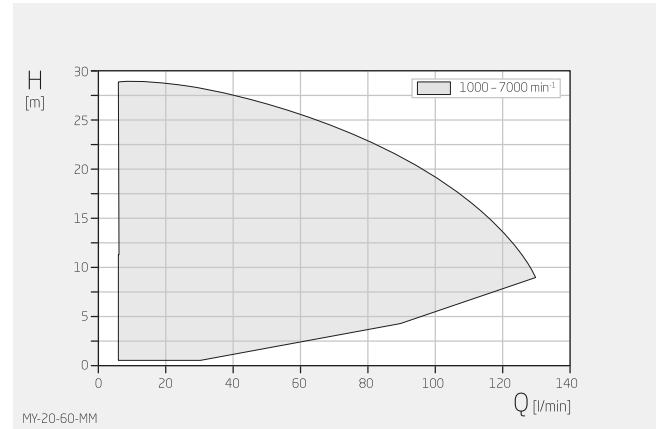
Technical data

International system of units, direct current



H	119 mm
W	100 mm
L	167 mm

Dimensions may vary depending on the design.

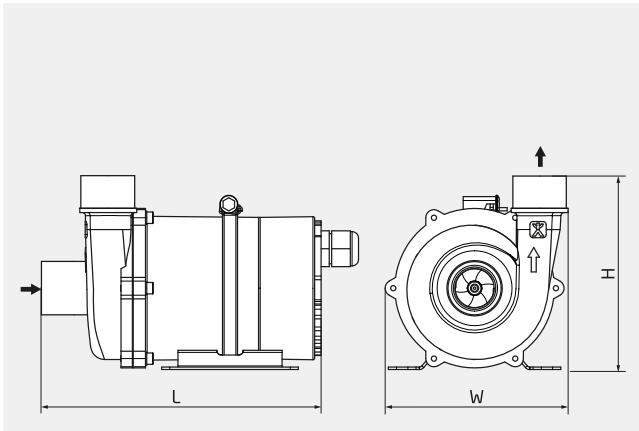


Specifications apply for water at 20°C
 Within the displayed characteristic diagrams, each operating point is possible through corresponding parametrisation of the drive.

Product type	Centrifugal pump
Shaft sealing	None
Pump design	Canned motor pump
Typical media	Water max. +80 °C Water/glycol mixture min. -20 °C, lower temperatures on request, max. +80 °C Oil max. +80 °C
Self-priming	No
Variable speed	Yes
Total head	2-28 m
Flow rate	5-130 l/min
Nominal pressure	PN 6
Motor current type	Direct current
Type of motor	DC motor BLDC
Nominal motor voltage	24-60 V
Nominal motor power	270 W/370 W
Nominal motor speed	1000-6700 rpm
Suction-side connection design	Threaded, barb
Suction-side connection size	G 1"
Pressure-side connection design	Threaded, barb
Pressure-side connection size	G 1"
Material designs	Stainless steel
Explosion protection	None

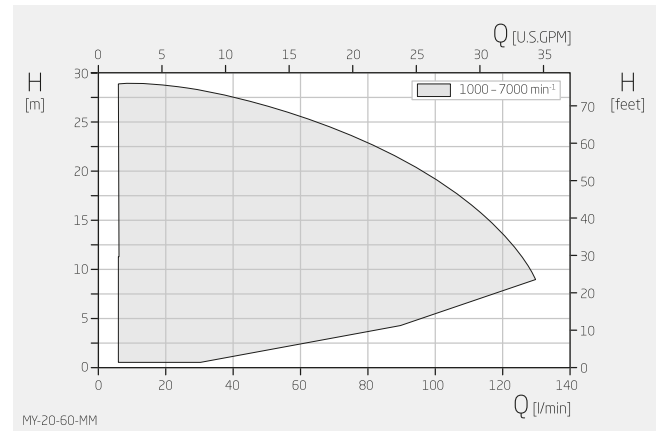
Technical data

Anglo-American system of measurement, direct current

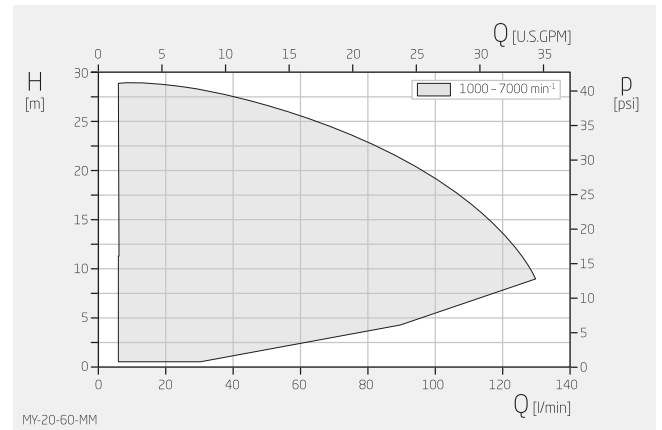


H 4,69 inch
W 3,94 inch
L 6,57 inch

Dimensions may vary depending on the design.



Specifications apply for water at 68°F
Within the characteristic diagrams, each operating point is possible through corresponding parametrisation of the drive.



Specifications apply for water at 68°F
Within the characteristic diagrams, each operating point is possible through corresponding parametrisation of the drive.

Product type	Centrifugal pump
Shaft sealing	None
Pump design	Canned motor pump
Typical media	Water max. +176 °F Water/glycol mixture min. -4 °F, max. +176 °F Oil max. +176 °F
Self-priming	No
Variable speed	Yes
Total head	7-92 ft
Flow rate	1.3-34.3 USGPM
Nominal pressure	PN 6
Motor current type	Direct current
Type of motor	DC motor BLDC
Nominal motor voltage	24-60 V
Nominal motor power	0.36 HP/0.50 HP
Nominal motor speed	1000-6700 rpm
Suction-side connection design	Threaded, barb
Suction-side connection size	G 1"
Pressure-side connection design	Threaded, barb
Pressure-side connection size	G 1"
Material designs	Stainless steel

Explosion protection

None