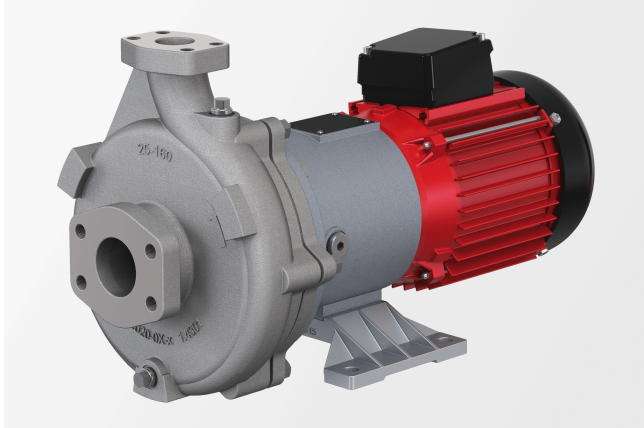


Product data sheet

Centrifugal pump

Bracket pump with magnetic coupling and speed-controlled synchronous motor



Description

- » Centrifugal pump
- » Bracket pump
- » Magnetic coupling
- » Hermetically sealed
- » Operation with a frequency converter
- » Motor efficiency level better than IE4

Markets and applications

Plastics processing

- » Tool tempering for injection moulding

Temperature control

- » Hot-water tempering devices
- » Oil tempering devices
- » Tool tempering for plastic injection moulding

Get in touch with us!

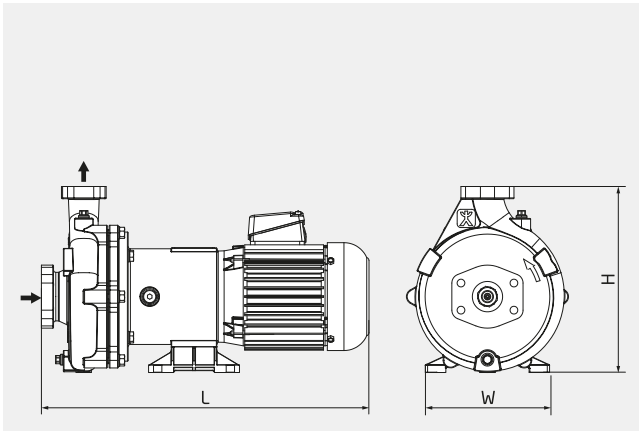
Speck Pumpen Systemtechnik GmbH
Regensburger Ring 6-8
91154 Roth
Deutschland

Make a non-binding enquiry

info@speck.de

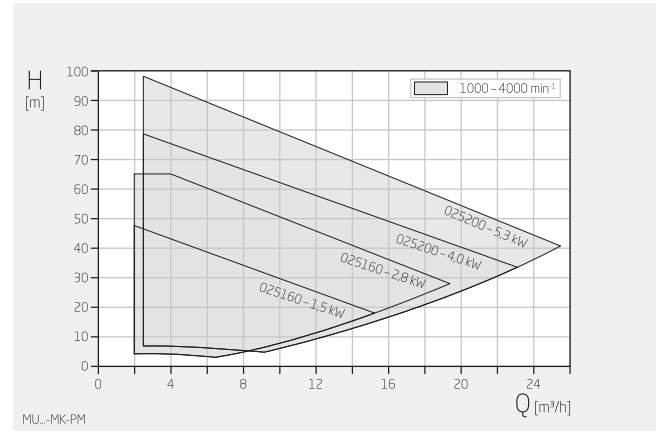
Technical data

International system of units, alternating current



H	245-290 mm
W	164-184 mm
L	457-568 mm

Dimensions may vary depending on the design.

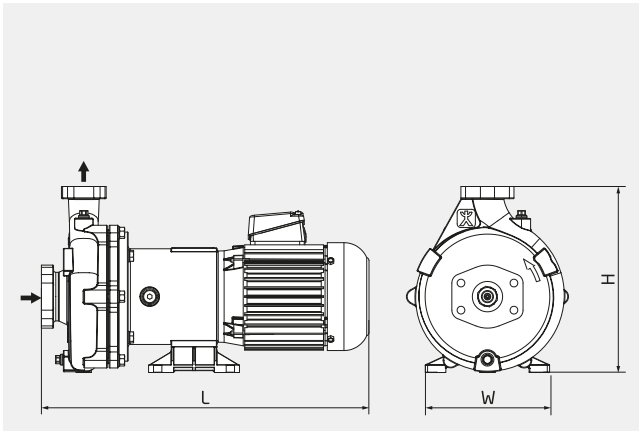


Specifications apply for water at 20°C
 Within the characteristic diagrams, each operating point is possible through parametrisation of the drive.

Product type	Centrifugal pump
Shaft sealing/coupling	None/magnetic coupling
Pump design	Bracket pump
Typical media	Water max. +160 °C Oil min. -100 °C, max. +300 °C
Self-priming	No
Variable speed	Yes
Total head	4-98 m
Flow rate	2.0-25.0 m³/h
Nominal pressure	PN 16
Motor current type	3~
Type of motor	Synchronous motor
Nominal motor power	1.5 kW – 5.3 kW
Nominal motor speed	1000 – 4000 rpm
Suction-side connection design	Threaded SAE
Suction-side connection size	G 1 ½", SAE 1 ½"
Pressure-side connection design	Threaded SAE
Pressure-side connection size	G 1", SAE 1"
Material designs	Stainless steel Spheroidal graphite cast iron
Explosion protection	None

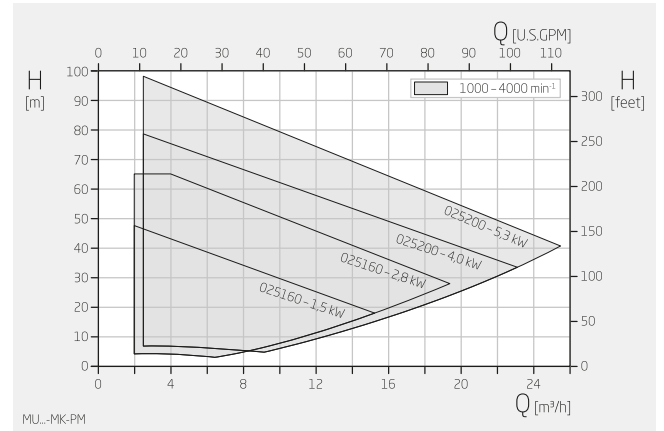
Technical data

Anglo-American system of measurement, alternating current

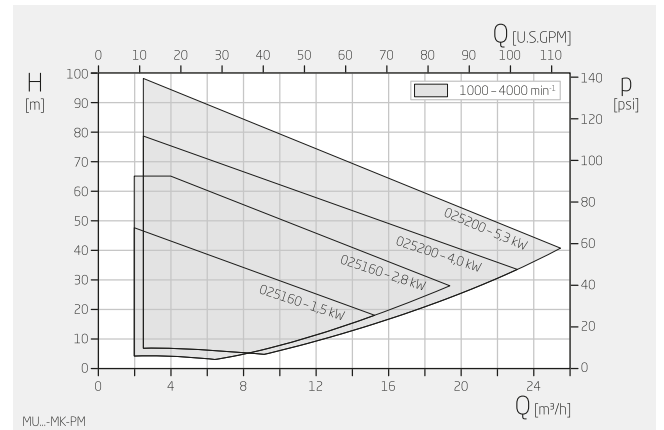


H	9,65-11,42 inch
W	6,46-7,24 inch
L	17,99-22,36 inch

Dimensions may vary depending on the design.



Specifications apply for water at 68°F
 Within the characteristic diagrams, each operating point is possible through corresponding parametrisation of the drive.



Specifications apply for water at 68°F
 Within the characteristic diagrams, each operating point is possible through corresponding parametrisation of the drive.

Product type	Centrifugal pump
Shaft sealing/coupling	None/magnetic coupling
Pump design	Bracket pump
Typical media	Water max. +320 °F Oil min. -148 °F, max. +572 °F
Self-priming	No
Variable speed	Yes
Total head	13-322 ft
Flow rate	8.8 - 110.1 USGPM
Nominal pressure	PN 16
Motor current type	3~
Type of motor	Synchronous motor
Nominal motor power	2.0 HP - 7.1 HP
Nominal motor speed	1000 - 4000 rpm
Suction-side connection design	Threaded SAE
Suction-side connection size	G 1 1/2", SAE 1 1/2"
Pressure-side connection design	Threaded SAE
Pressure-side connection size	G 1", SAE 1"

Material designs	Stainless steel Spheroidal graphite cast iron
Explosion protection	None